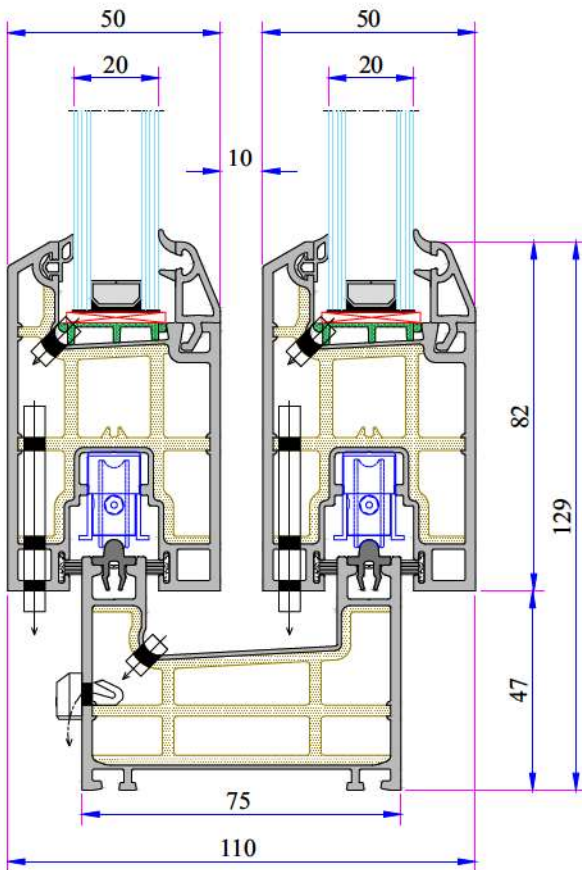




ADO

**PVC PROFILE
TECHNICAL SPECIFICATION**





TECHNICAL

PENWOOD 232 SLIDING SERIES

Profile Width: 75 mm double rail frame an 92,5mm single rail frame, 50mm sliding system sash profile

Number of chambers: 3 chambers system

Profile Class: B Class (TS EN 12608-1)

Seal Type: The insulated bristle wick system

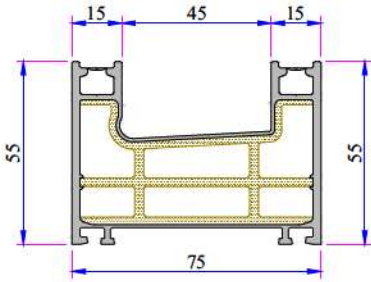
Glass Thickness (mm): 4-6, 20, 24 mm

The thermal insulation Uf: 1,43 W/m²K

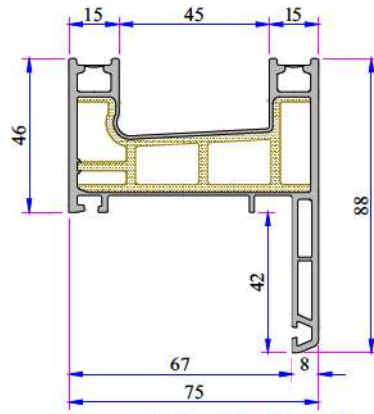
INSTRUCTION

- 75 mm double rail frame and 92,5 mm single rail frame, 50mm sliding system sash profile.
- No need for reinforcement cutting screwing unit and workman.
- Compared with metal reinforcement system profile Penwood systems have % 30 more advantage with max heat - sound and water insulation.
- Just cut and weld. You do not need Metal Reinforcement and extra stock area for Metal Reinforcement.
- It has water drainage channel, it can be directly drilled after cutting.
- The medium locked sash with a seal system.
- Application of single glaze (4-6 mm) and insulating glass 20-24 mm by grey sealed glazing beads in different tickness.
- In addition to main white profile, it has a different laminated color range.
- It's quality is accredited by national and international certificate.

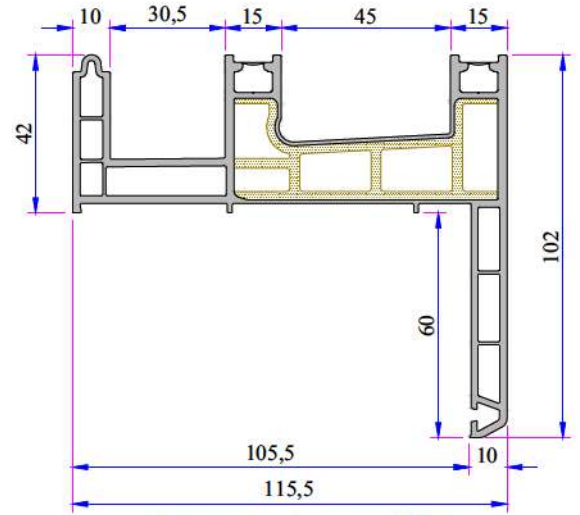
PENWOOD 232 SLIDING SERIES PVC PROFILE SYSTEM



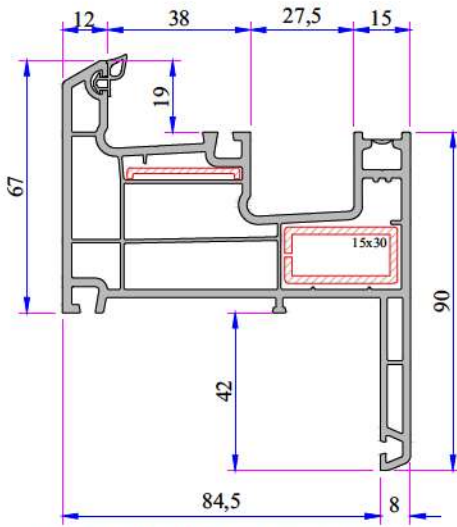
Frame Profile (Double Rail)
232.1106.2



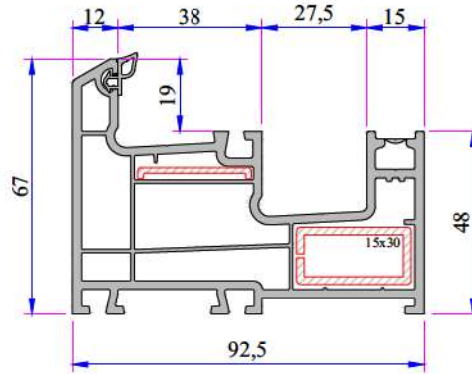
Frame Profile With Flat Sill
232.1110.2



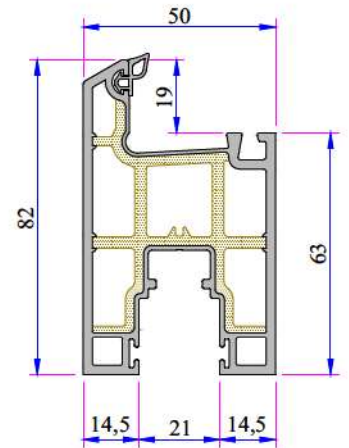
Frame With Fly-Screen&Sill
232.1109.2



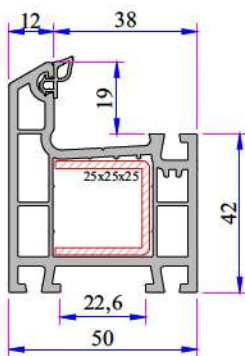
Frame Profile With Sill (Single Rail)
232.1114



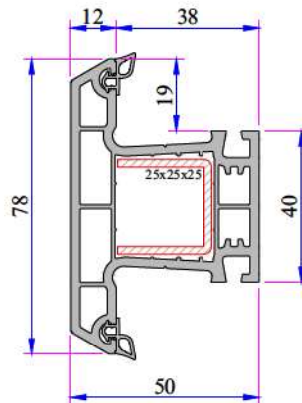
Frame Profile (Single Rail)
232.1105



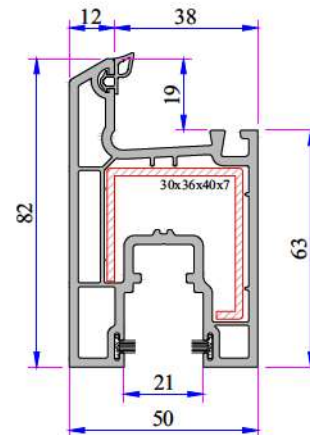
Penwood Sliding System Sash Profile
232.2300.2 (with Brush)
232.2301.2 (without Brush)



332 Frame Profile
332.1000

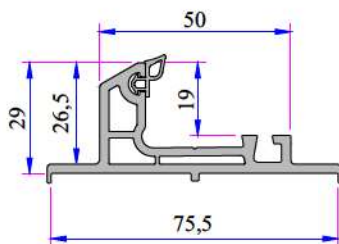


332 Mullion Profile
332.3000

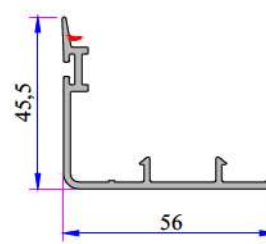


Sliding System Sash Profile (Static)
232.2308 (with Brush)
232.2309 (without Brush)

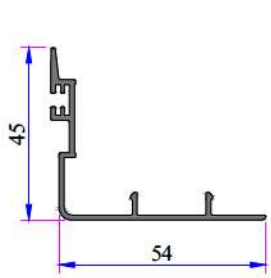
Double Rail Adaptor Profile
232.5800



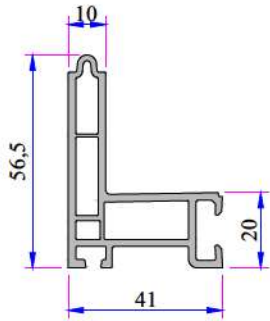
Sash Cover Profile
232.5709



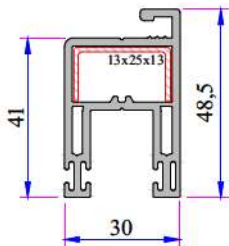
PENWOOD 232 SLIDING SERIES PVC PROFILE SYSTEM



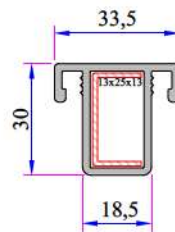
Alm. Sash Cover Profile
16051.601.5.1.1.9016



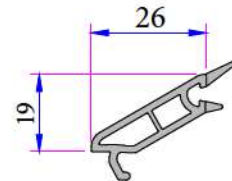
Screen Adaptör Profile
232.5802



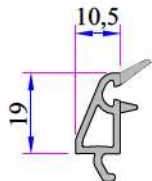
Sliding Screen Sash Profile
242.2305



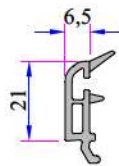
Sliding Screen Mullion Profile
242.3200



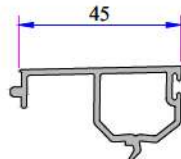
Single Glazing Bead (4mm)
332.4000



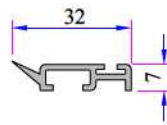
Double Glazing Bead (20mm)
332.4100



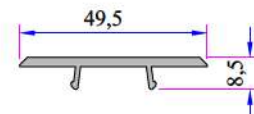
Double Glazing Bead (24mm)
532.4500



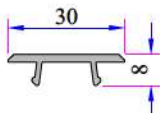
PVC Cover Profile
232.5710



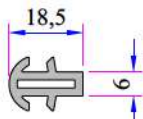
Lap Strip Profile
232.5801



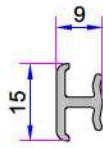
PVC Sash Cover Profile
232.5704



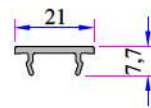
Screen Sash Cover Profile
242.5701



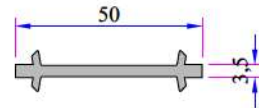
Short Coupling Profile
099.5003



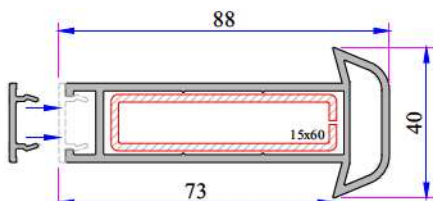
Universal Short Coupling Profile
099.5004



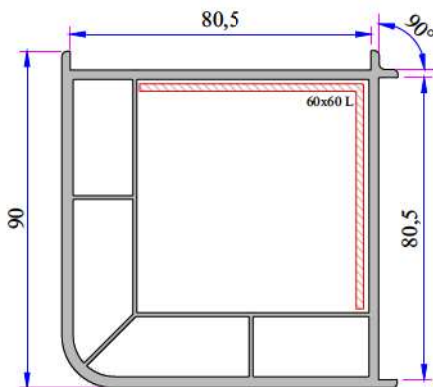
Universal Large Coupling Cover Profile
058.5707



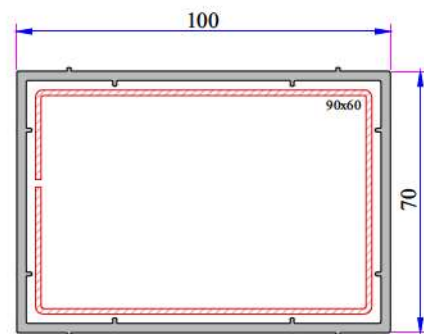
Narrow Coupling Profile
050.5001



Universal Large Coupling Profile
058.5000



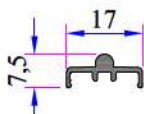
90° Corner Profile
080.5100



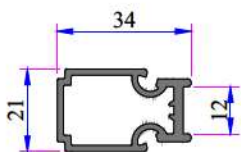
Box Profile (70*100)
070.5202



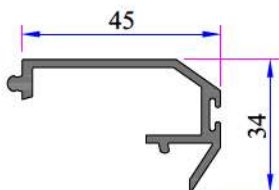
Alm. Sliding Rail Profile
16014.601.5 000



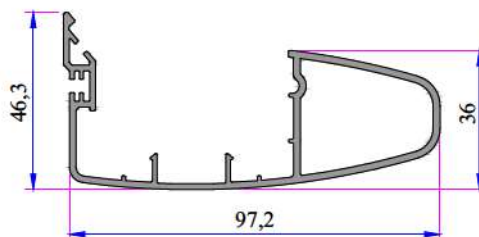
Alm. Sliding Rail Profile
11053.601.5.2 000



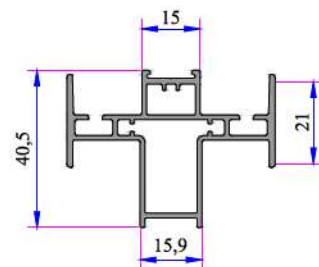
Alm. Double Rail Adaptor Profile
AD16-011



Alm. Cover Profile
16013.601.5.2 000

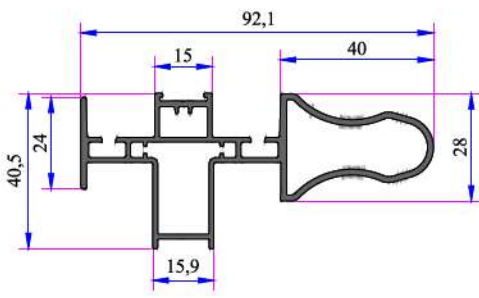


Sash Cover Grillage Profile
16028.601.5.2 000

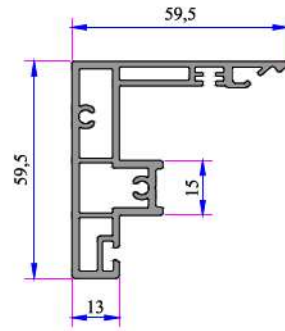


With Alum. Lug Double Sash Middle Adaptor (In Process)

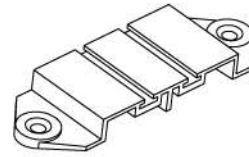
PENWOOD 232 SLIDING SERIES PVC PROFILE SYSTEM



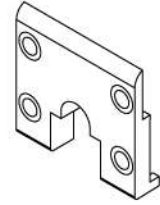
With Alum. Grillage Double Sash
Middle Adaptor (In Process)



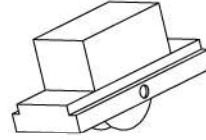
Alum. Sliding Mullion with 3
Chambered (In Process)



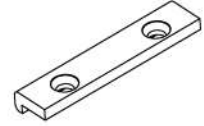
Sealing Bit Single Rail
34009-26020



Sliding Sash End Bit
34009-46010

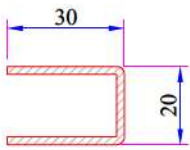


Sliding Roller Plastic
34009-17010

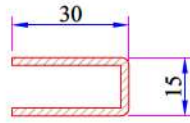


Upper bedding Piece for
Sliding Rail
34009-36010

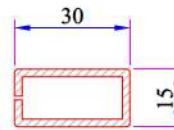
W 232 Sliding Re-Inforcement Profiles



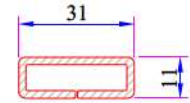
Double Rail Frame Profile
Reinforcement
34022-12006



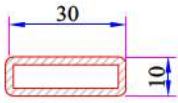
Frame Profile with Sill -
Frame Profile with Flat Sill
Reinforcement
34022-12034



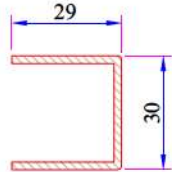
Frame Profile (Single Rail)-
Frame Profile With Sill (Single
Rail) Reinforcement
34022-12125



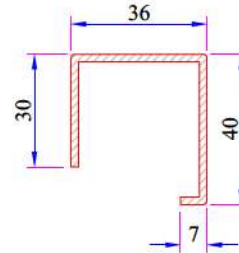
Frame With Fly-Screen&Sill
Reinforcement
34022-12107



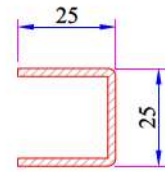
Frame With Internal Fly-
Screen Reinforcement
34022-12107



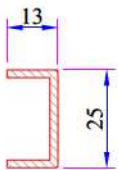
Sliding System Sash
Profile Reinforcement
34022-12002



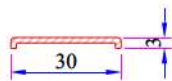
Sliding System Sash Profile
(Static) Reinforcement
34022-12107



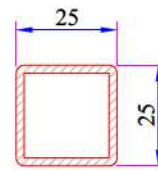
332 Frame- Mullion Profile
Reinforcement
34022-12003



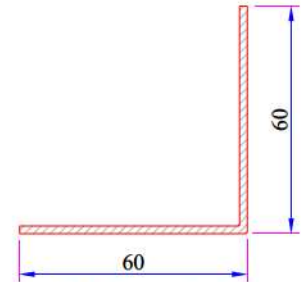
Fly-Screen Sash - Fly-Screen
Mullion Profile Reinforcement
34022-12008



Frame Profile (Single Rail)-
Frame Profile With Sill (Single
Rail) Reinforcement
34022-12035



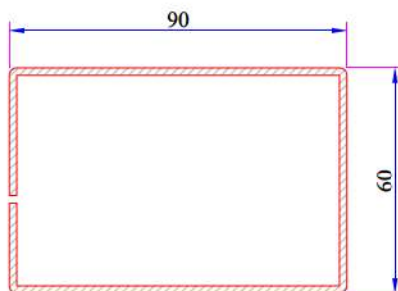
Mullion Profile Static
Reinforcement
34022-12122



90° Corner Profile
Reinforcement
34022-12306

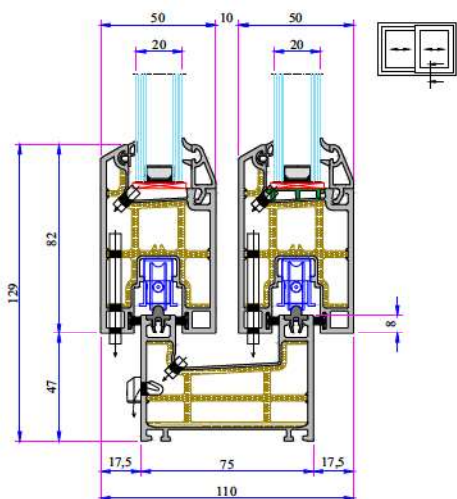


Universal Large Coupling
Profile Reinforcement
34022-12123

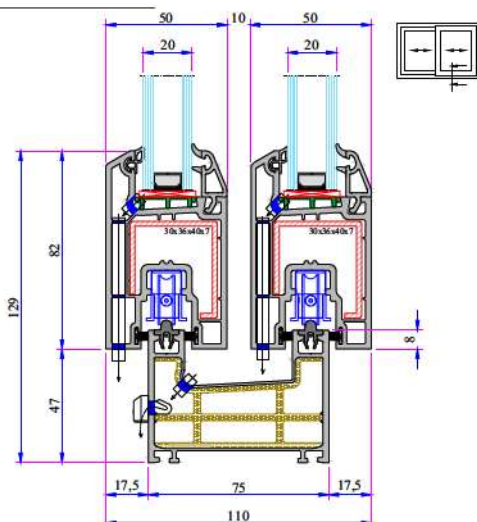


Box Profile Reinforcement
34022-12121

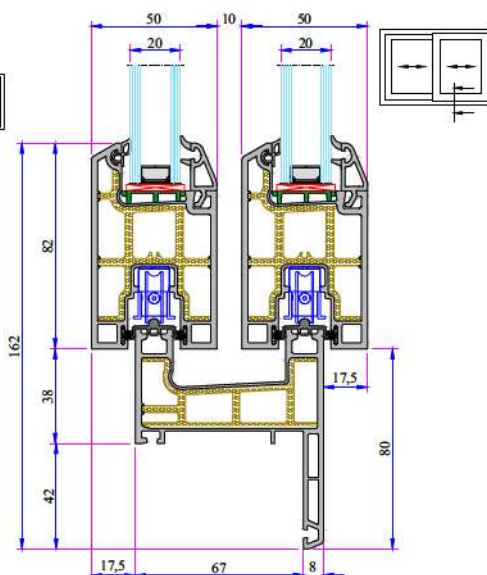
Penwood 232 Sliding Installation



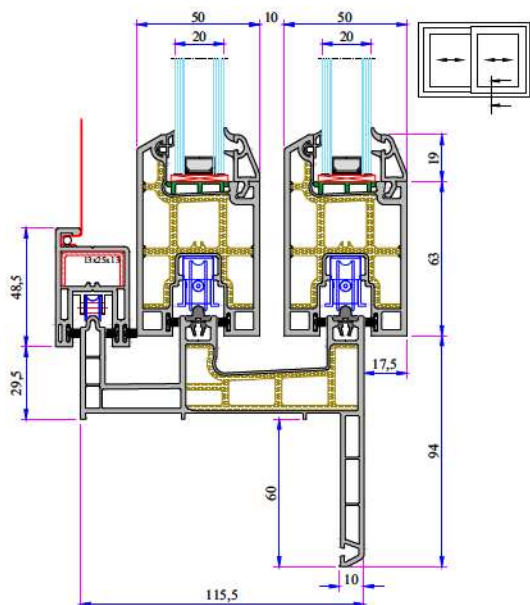
Sliding Frame Sash Double Rail Installation



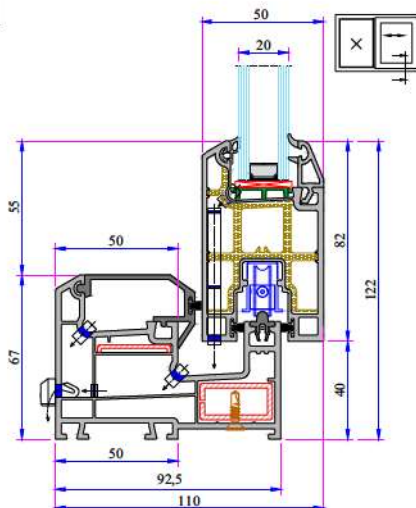
Sliding Frame Static Sash Double Rail Installation



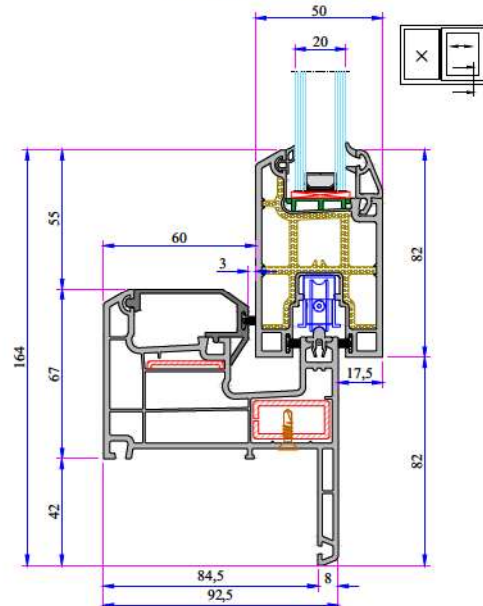
Double Sliding Frame with Sill - Sash Installation



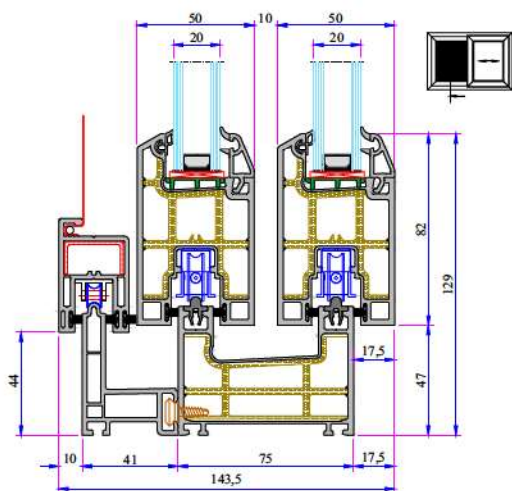
Double Sliding Frame with Sill (60mm) - Sash Installation



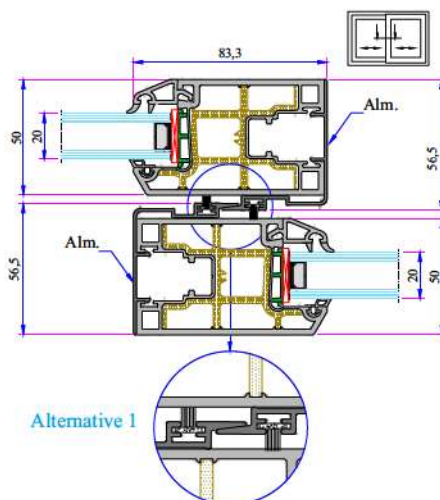
Sliding Frame Sash Single Rail Installation



Frame Profile With Sill (Single Rail) - Sash Installation



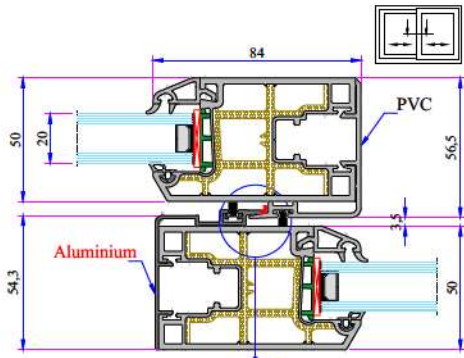
Double Rail Sliding Frame - Sliding Sash - Screen Adaptor Profile Installation



Alternative 1

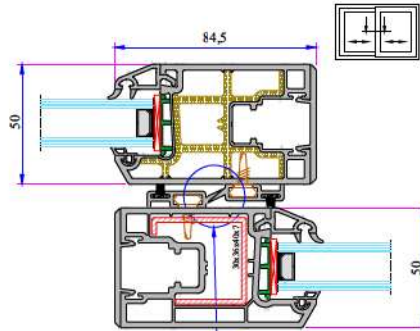
Alm. Sash Cover Profile Installation

PENWOOD 232 SLIDING SERIES PVC PROFILE SYSTEM



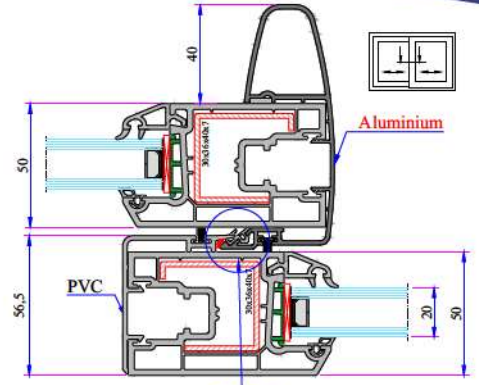
Alternative 2

PVC and Aluminium Sash Cover Installation



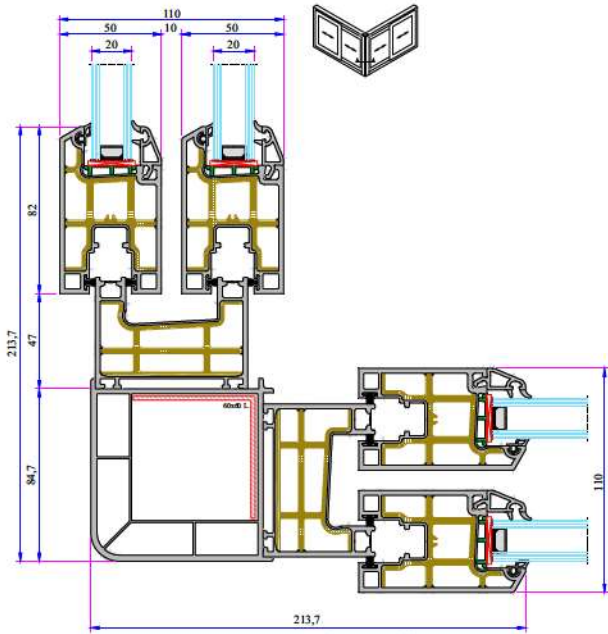
Alternative 3

Sash Cover and Lap Strip Profile Installation

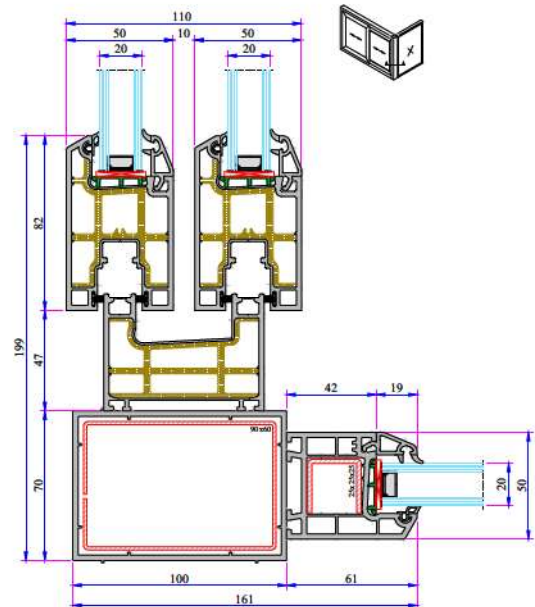


Alternative 4

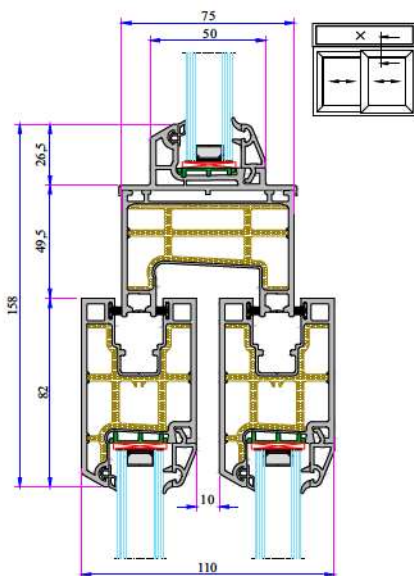
Alm. Sash Cover Griyaj Profile Installation



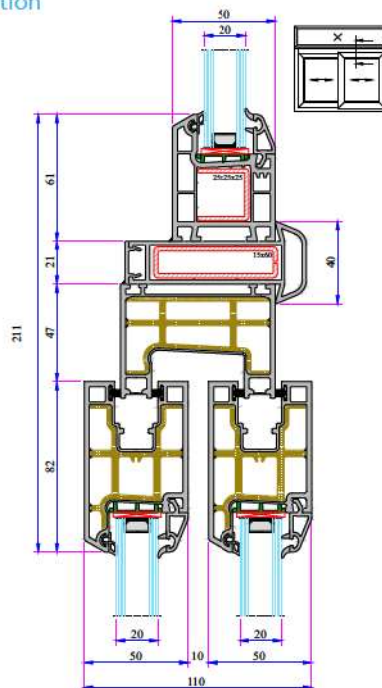
90° Corner Profile Installation



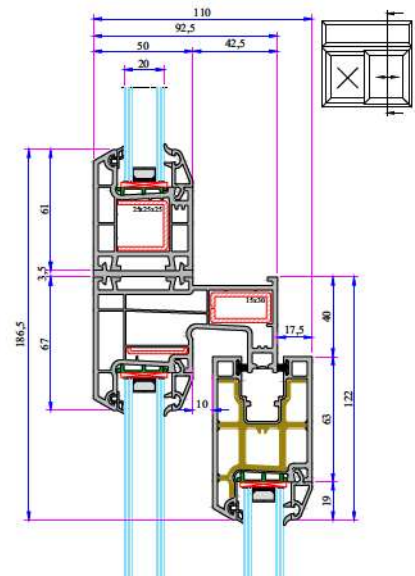
Box Profile Installation (70*100)



Top Fixed - Bottom Double Rail Sliding Installation



Large Coupling Profile Installation



Top Fixed - Bottom Single Rail Sliding Installation



www.ado.com.tr

FACTORY

Antalya Organize Sanayi Bölgesi 2.Kısım Mah. 21.Cadde No:3

07040 Döşemealtı / ANTALYA / TURKEY

Tel : +90 242 236 20 00 · Faks : +90 242 236 20 90 · Email : info@ado.com.tr

