

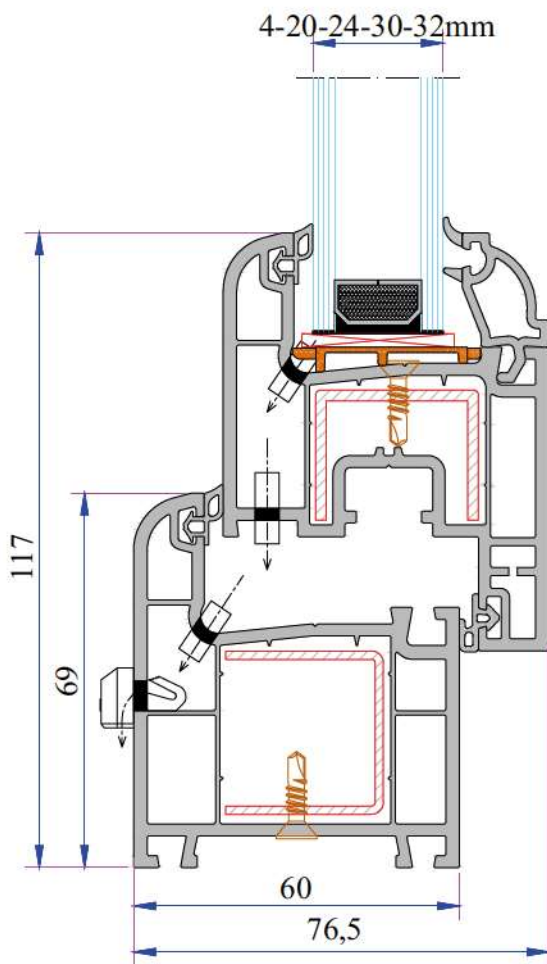
WO 60 SERIES



ADO

**PVC PROFILE
TECHNICAL SPECIFICATION**





TECHNICAL

WO 60 SERIES (101 SERIES)

Profile Width: 60 mm

Number of chambers: 3

Profile Class: B Class (TS EN 12608-1)

Seal Type: External / Internal double seal system

Seal Type and Color: TPE - Grey /Black

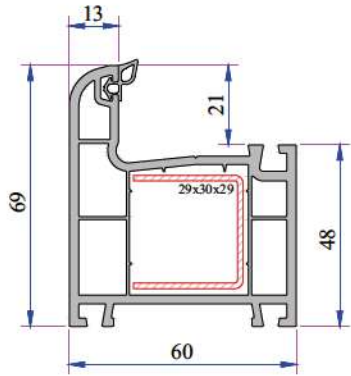
Glass Thickness (mm): 4, 20, 24, 30, 32 mm

The thermal insulation Uf: 1,56 W/m²K

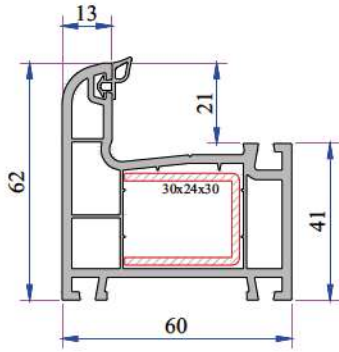
INSTRUCTION

- The main profile has 60 mm width.
- Because of the elastic grey and black seal which does not leave any stain on profiles will be provided maximum air, water, dust and sound isolation.
- Due to the 3 chambers profiles, it has maximum performance for thermal, sound and water isolation.
- It is a series of profiles with very special design that provides maximum wind resistance on high rise buildings.
- Excluding normal sash profile there is also chance to have a choice for offset type sash profile.
- In addition to white profile a different laminated color range is available.
- 4-5 mm single glazing application of 20, 24, 30, 32 mm glazing beads give us alternatives of using double, triple glazing and panels.

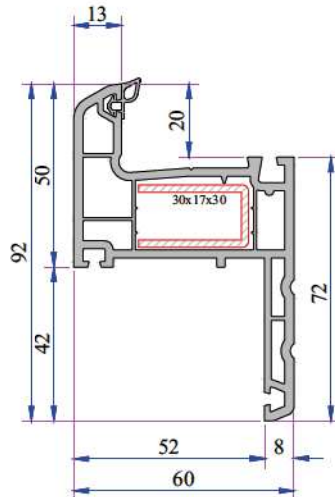
WO 60 SERIES PVC PROFILE SYSTEM



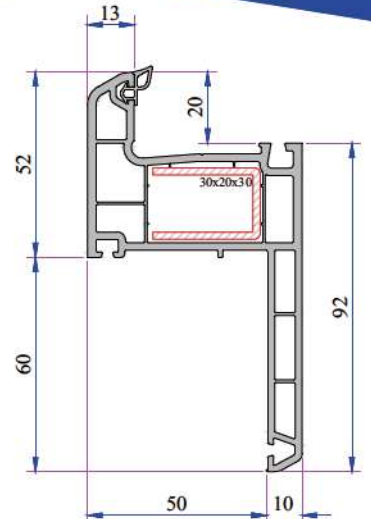
Super Frame Profile
101.1001



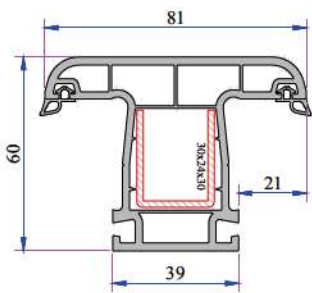
Frame Profile
101.1000



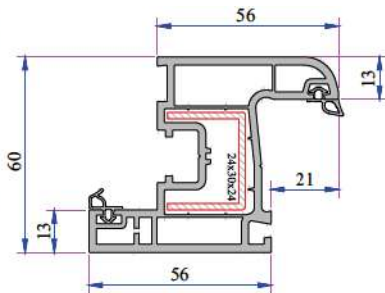
Frame Profile with Sill
632.1200
632.1200.PC (with Double Seal)



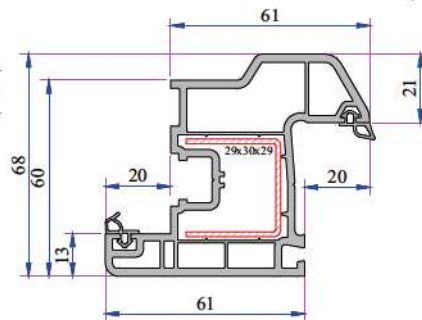
Frame Profile with Sill 60mm
632.1207
632.1207.PC (with Double Seal)



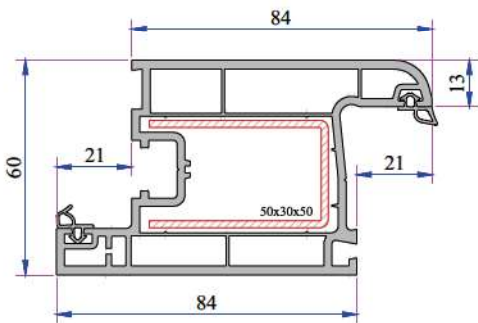
Mullion Profile
101.3000



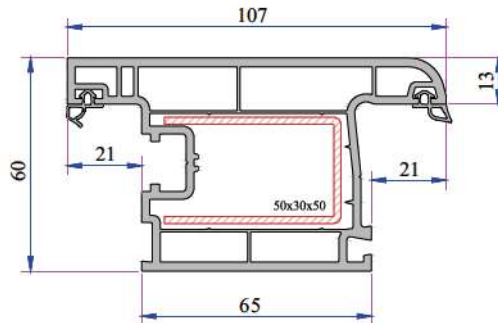
Sash Profile
101.2000



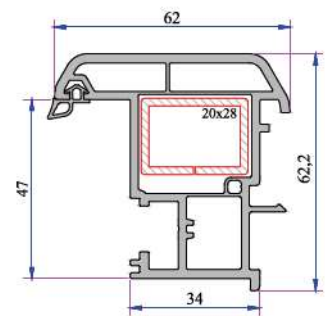
Offset Type Sash Profile
632.2200



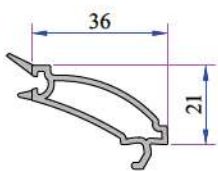
Door Sash Profile
101.2100



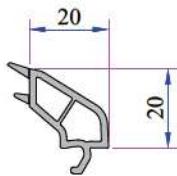
Outward Opening Door Sash Profile
101.2101



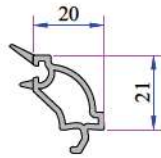
Lap Joint Profile
632.3104



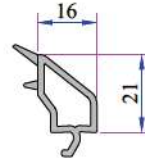
Single Glazing
Bead 4mm
101.4002



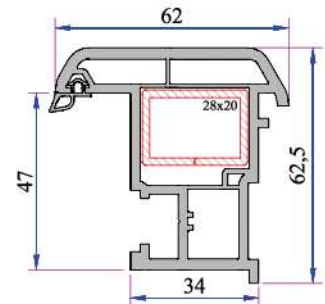
Double Glazing Bead
20mm
101.4100



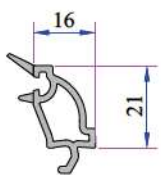
Double Glazing
Bead 20mm
101.4102



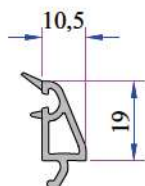
Double Glazing
Bead 24mm
750.4500



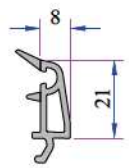
Lap Joint Profile
632.3100



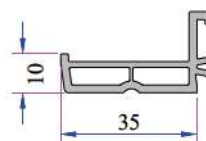
Double Glazing
Bead 24mm
101.4202



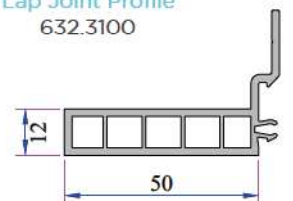
Triple Glazing
Bead 30mm
332.4100



Triple Glazing
Bead 32mm
101.4500



Frame Sill Profile (35mm)
099.5523



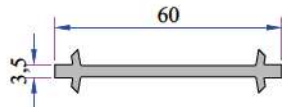
Frame Sill Profile (50mm)
099.5524

WO 60 SERIES PVC PROFILE SYSTEM

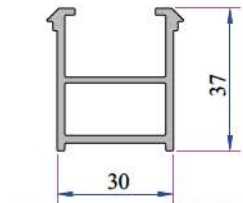


Universal Large Coupling
Cover Profile

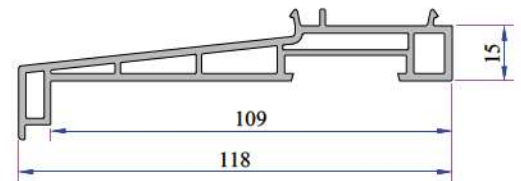
058.5707



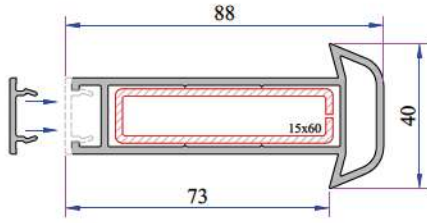
Narrow Coupling Profile
060.5001



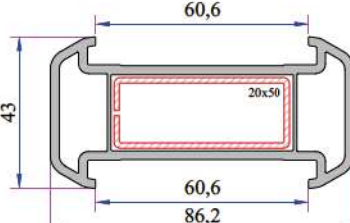
Frame Montage Profile
060.5301



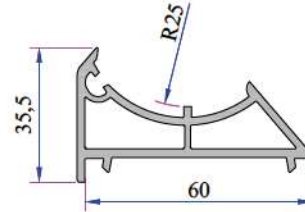
Sill Profile
058.5504



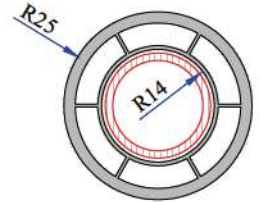
Universal Large Coupling Profile
058.5000



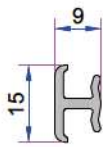
Large Coupling Profile
060.5000



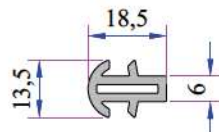
Angle Pipe Adaptor Profile
060.5104



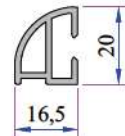
Pipe Profile
050.5106



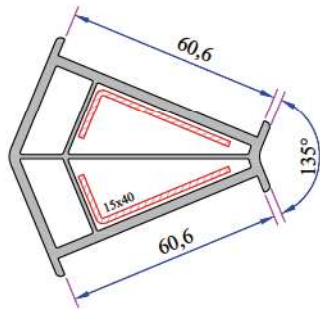
Universal Short Coupling
Profile
099.5004



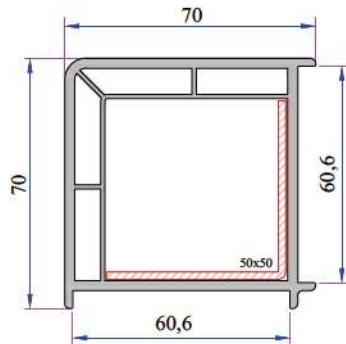
Short Coupling Profile
099.5003



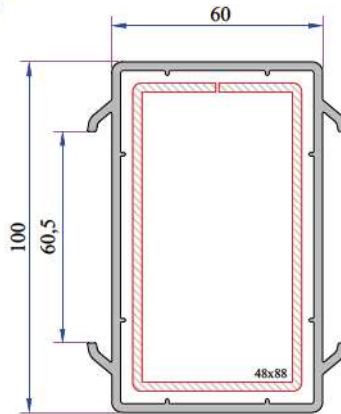
Offset Profile
900.6307



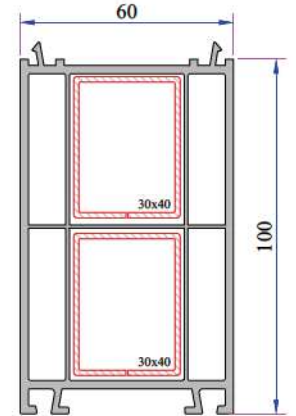
135° Corner Profile
060.5102



90° Corner Profile
060.5100

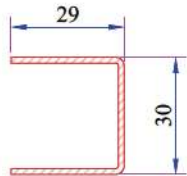


60x100 Box Profile
060.5203

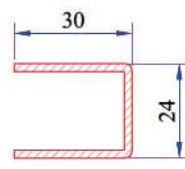


60x100 Frame Lifting Profile
900.5303

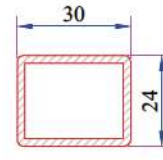
WO 60 Re-Inforcement Profiles



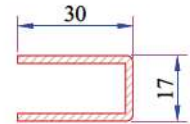
Super Frame - Offset Type Sash
Profile Reinforcement
34022-12002



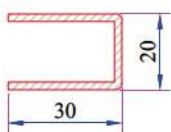
Frame - Mullion Profile
Reinforcement
34022-12004



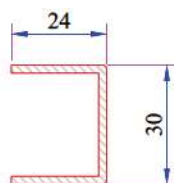
Mullion Profile Static
Reinforcement
34022-12119



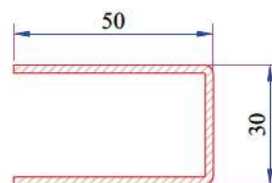
Frame Profile with Sill
Reinforcement
34022-12032



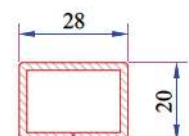
Frame Profile with Sill 60mm
Reinforcement
34022-12006



Sash Profile Reinforcement
34022-12025

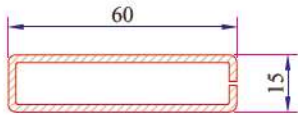


Door Sash- Outward Opening Door
Sash Profile Reinforcement
34022-12013

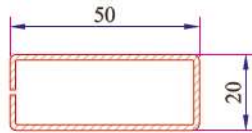


Lap Joint Profile
Reinforcement
34022-12118

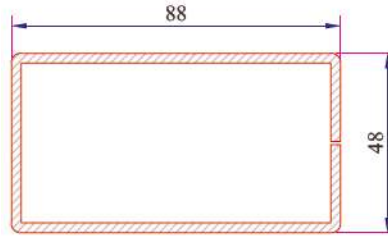
WO 60 SERIES PVC PROFILE SYSTEM



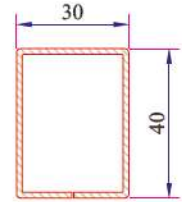
Universal Large Coupling
Profile Reinforcement
34022-12123



Large Couple Profile
Reinforcement
34022-12105

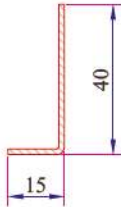


60x100 mm Box Profile
Reinforcement
34022-12102

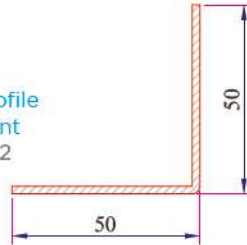


60x100 Frame Lifting Profile
Reinforcement
34022-12120

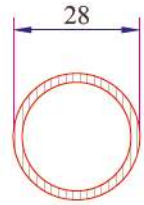
135° Corner Profile
Reinforcement
34022-12301



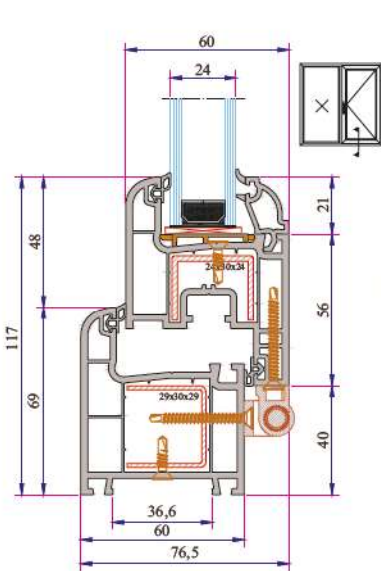
90° Corner Profile
Reinforcement
34022-12302



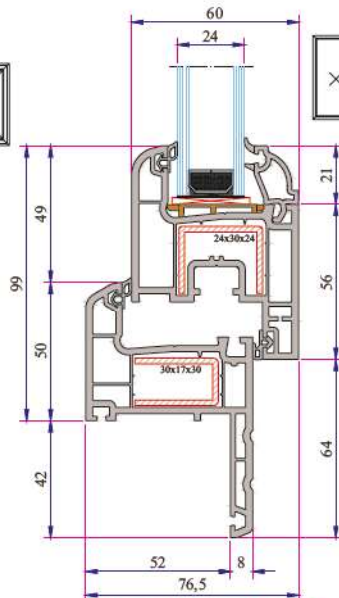
Pipe Profile
Reinforcement
34022-12503



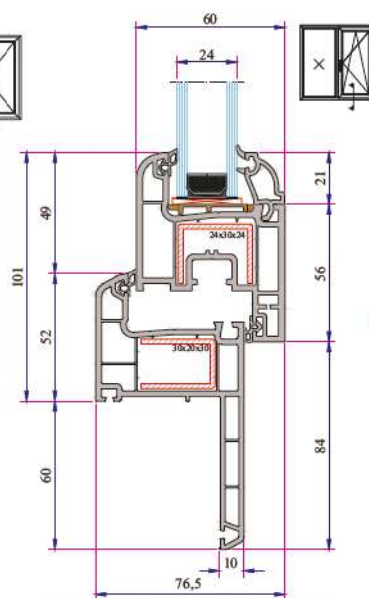
WO 60 Installation



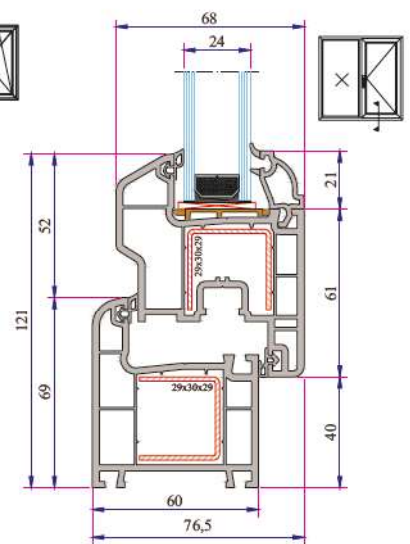
Frame - Sash Installation



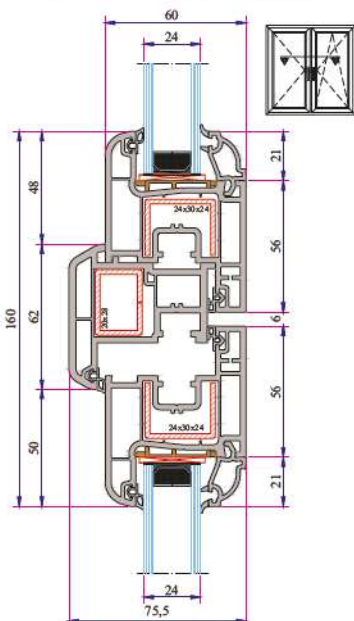
Frame Profile with Sill -
Sash Installation



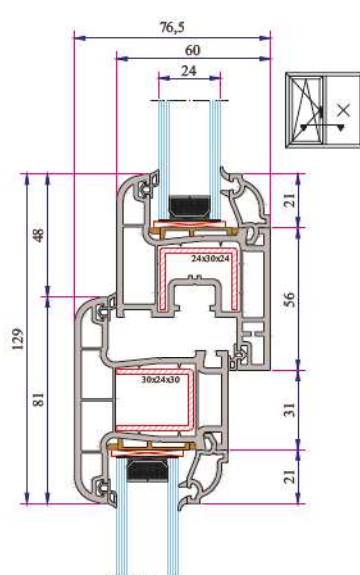
Frame with Sill (60mm) -
Sash Installation



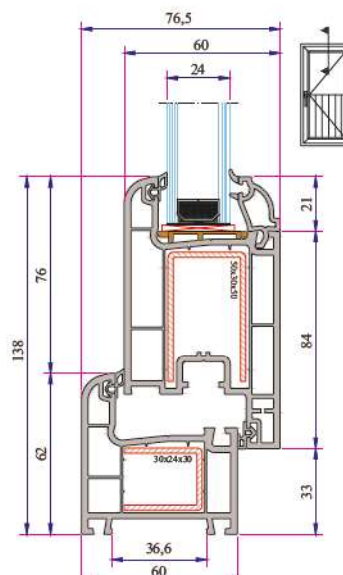
Frame - Offset Type Sash Profile



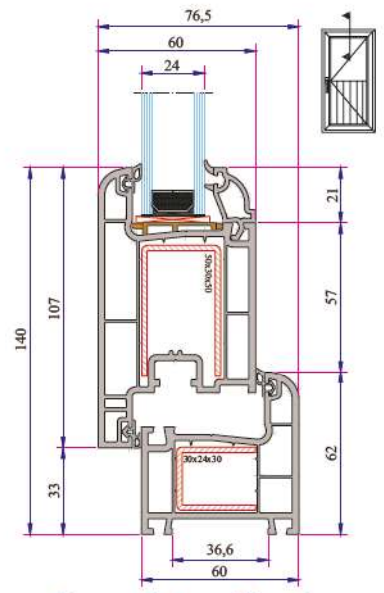
Sash - Lap Joint -
Sash Installation



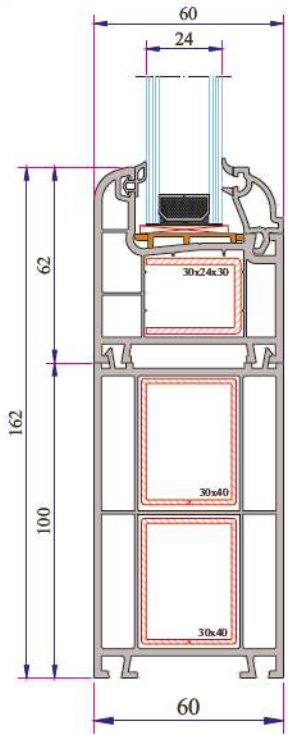
Mullion - Sash Profile
Installation



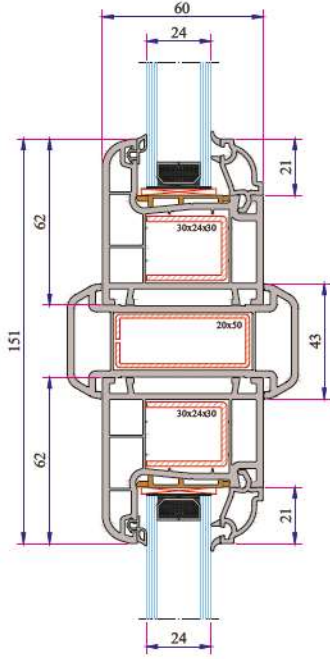
Frame - Door Sash
Installation



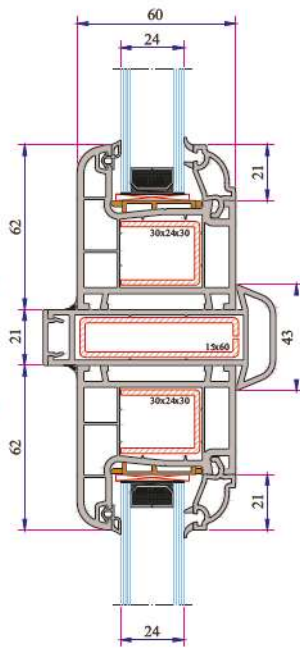
Frame - Outward Opening
Door Sash Installation



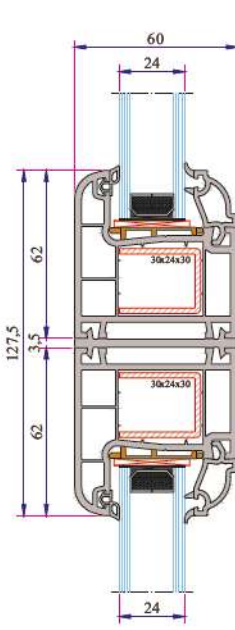
100mm Frame
Lifting Profile



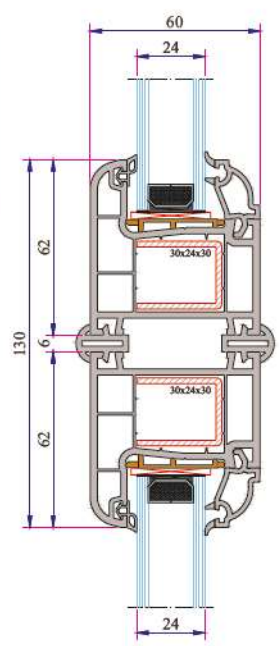
Large Coupling Profile
Installation



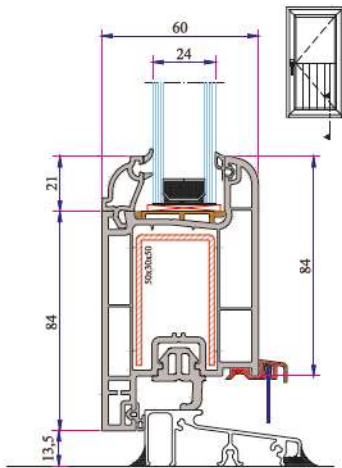
Universal Large Coupling
Profile Installation



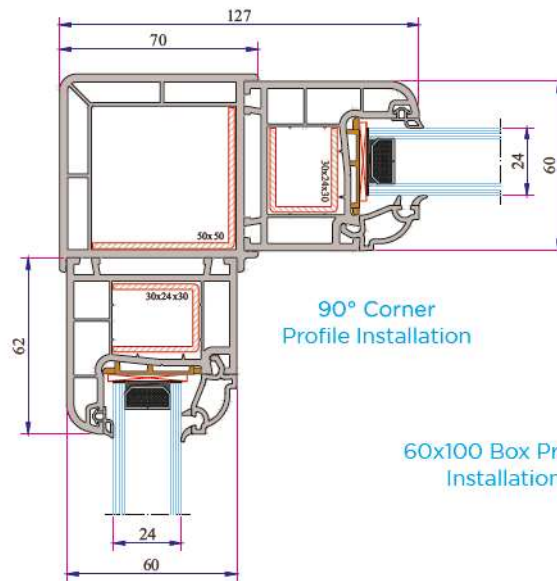
Narrow Coupling
Profile Installation



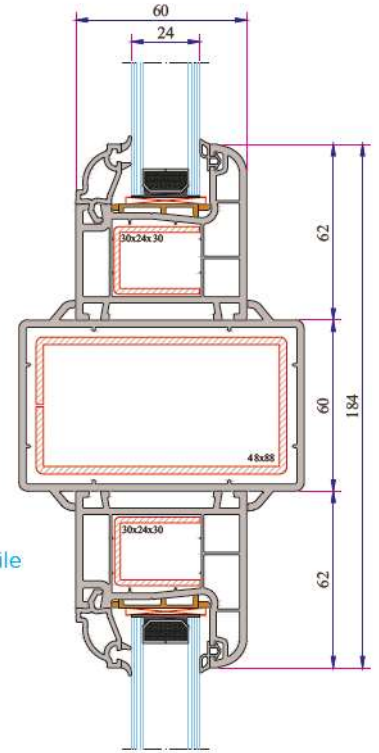
Short Coupling Profile
Installation



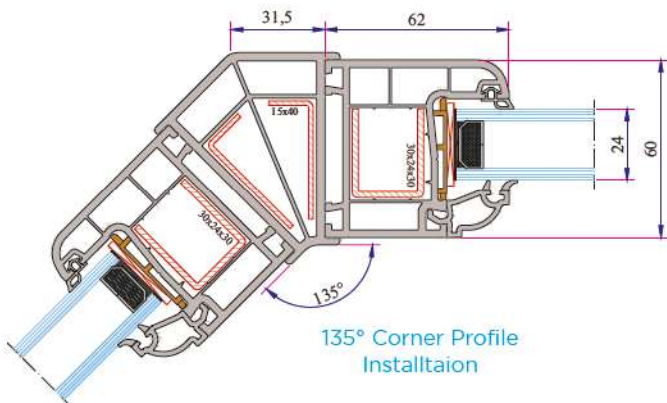
With Aluminium Threshold
Frame Door Sash
Installation



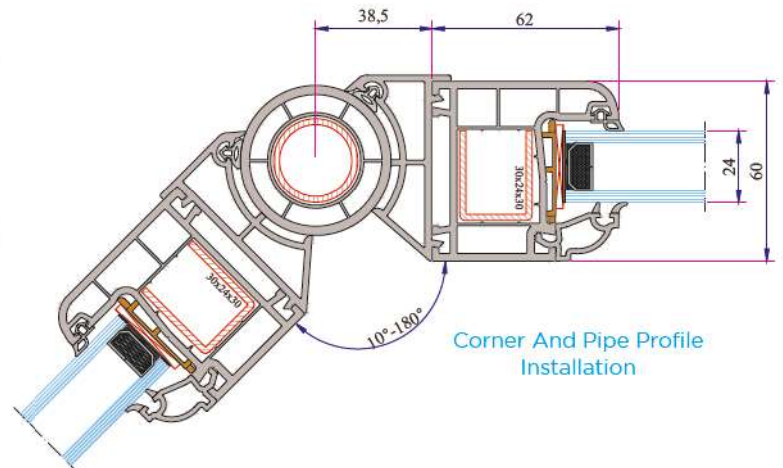
90° Corner
Profile Installation



60x100 Box Profile
Installation



135° Corner Profile
Installation



Corner And Pipe Profile
Installation





www.ado.com.tr

FACTORY

Antalya Organize Sanayi Bölgesi 2.Kısım Mah. 21.Cadde No:3

07040 Döşemealtı / ANTALYA / TURKEY

Tel : +90 242 236 20 00 · Faks : +90 242 236 20 90 · Email : info@ado.com.tr

