

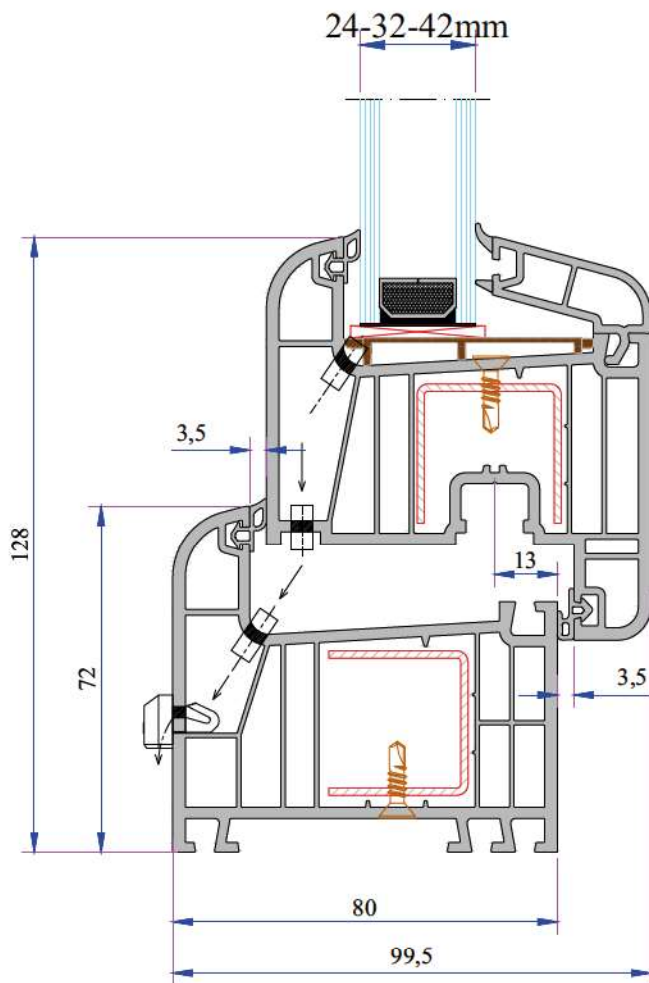
W 800 SERIES · W 860 SERIES · W 873 SERIES



ADO

**PVC PROFILE
TECHNICAL SPECIFICATION**





TECHNICAL

W 800 SERIES

Profile Width: 80 mm

Number of chambers: 6

Profile Class: A Class (TS EN 12608-1) /
RAL 716-GZ A Class

Seal Type: External / Internal double seal
system

Seal Type and Color: TPE - Grey / Black

Glass Thickness (mm): 24, 32, 42 mm

The thermal insulation Uf: 1,2 W/m²K

W 860 SERIES

Profile Width: 80 mm

Number of chamber: 6

Profile Class: B Class (TS EN 12608-1) /
RAL 716-GZ B Class

Seal Type: External / Internal double seal
system

Seal Type and Color: TPE - Grey / Black

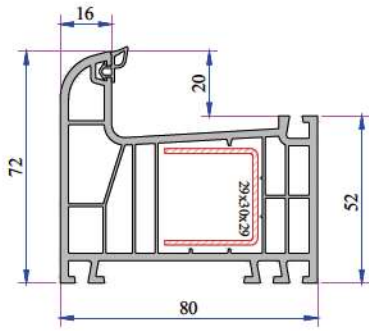
Glass Thickness (mm): 24, 32, 42 mm

The thermal insulation Uf: 1,2 W/m²K

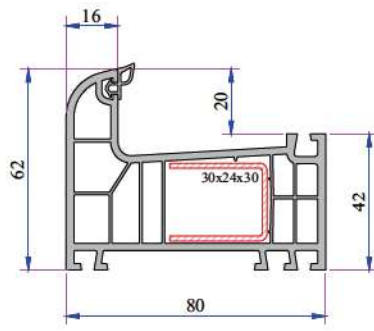
INSTRUCTION

- The profiles have 80 mm width.
- Because of the elastic grey and black seal which does not leave any stain on profiles will be provided maximum air, water, dust and sound isolation.
- Due to the 6 chambers profiles, it has maximum performance for thermal, sound and water isolation.
- It is a series of profiles with very special design that provides maximum wind resistance on high rise buildings.
- Excluding normal sash profile there is also chance to have a choice for offset type sash profile.
- In addition to white profile a different laminated color range is available.
- Application of 24, 32, 42 mm glazing beads give us alternatives of using double, triple glazing and panels.

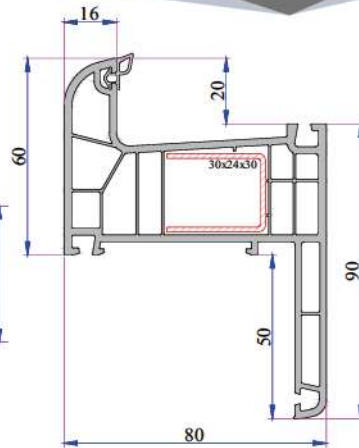
W 800 - W 860 SERIES PVC PROFILE SYSTEM



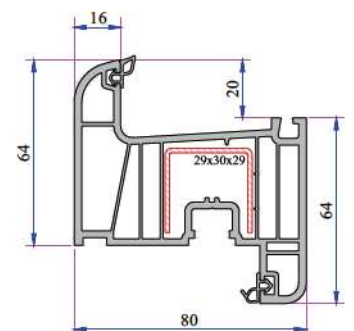
Frame Profile
800.1000 (A Class)
860.1000 (B Class)



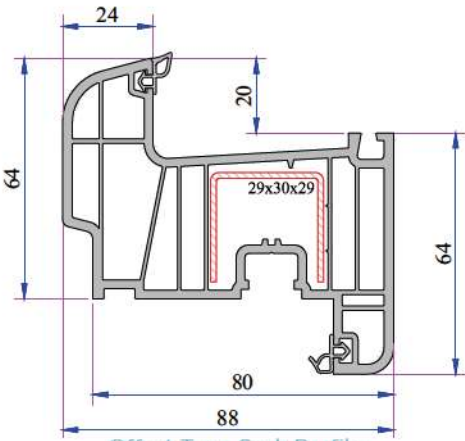
Eco Frame Profile
860.1003



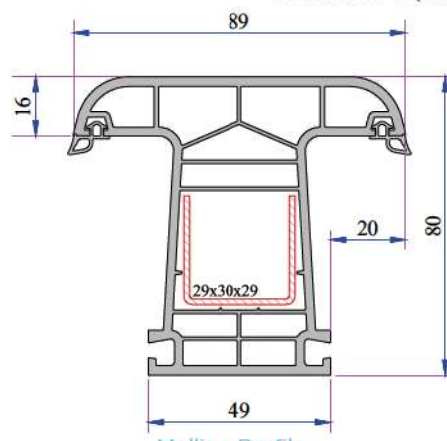
Frame Profile With Sill
860.1200
860.1200.PC (with Double Seal)



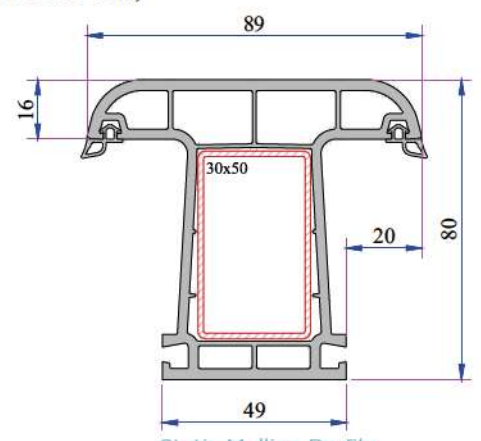
Sash Profile
800.2000 (A Class)
860.2000 (B Class)



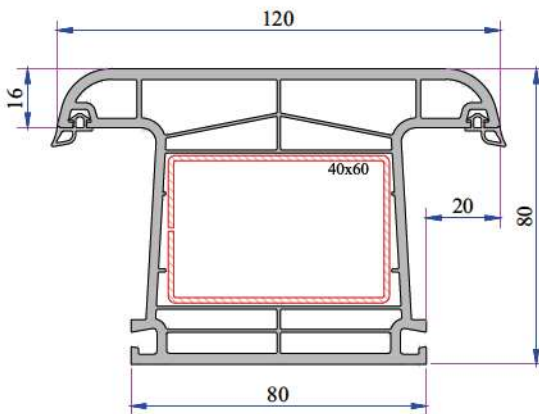
Offset Type Sash Profile
860.2200



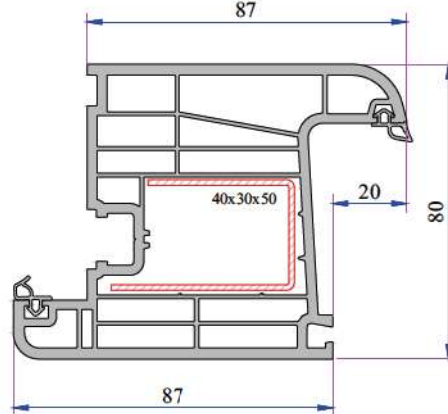
Mullion Profile
860.3000 (A Class)
860.3000 (B Class)



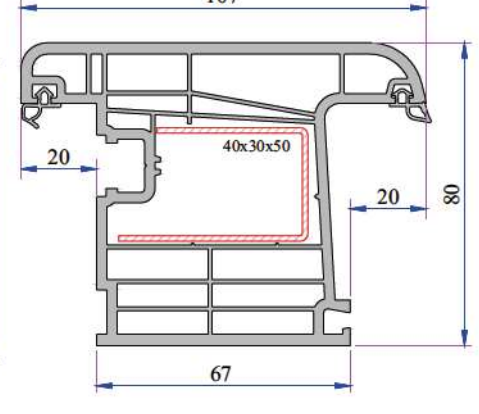
Static Mullion Profile
800.3009



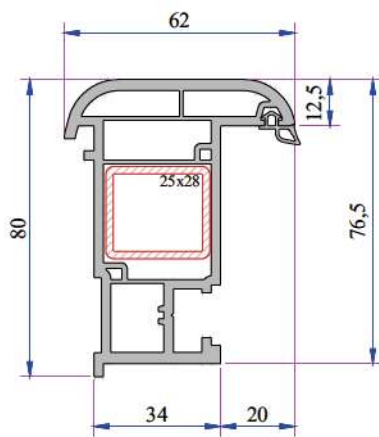
Super Mullion Profile
800.3008



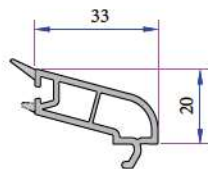
Door Sash Profile
800.2100



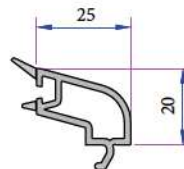
Outward Opening Door Sash Profile
800.2101



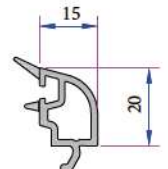
Lap Joint Profile
800.3100



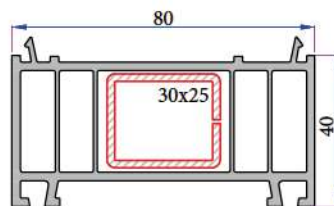
Double Glazing Bead 24 mm
800.4200



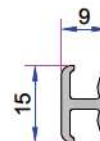
Triple Glazing Bead 32 mm
800.4500



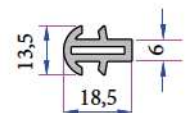
Triple Glazing Bead 42 mm
800.4600



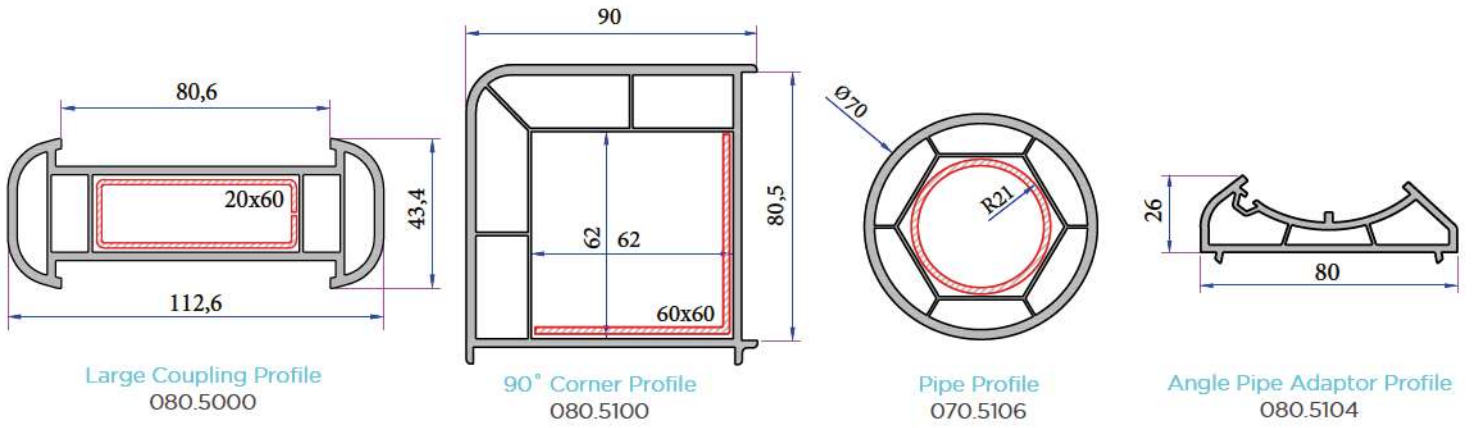
Frame Lifting Profile
080.5300



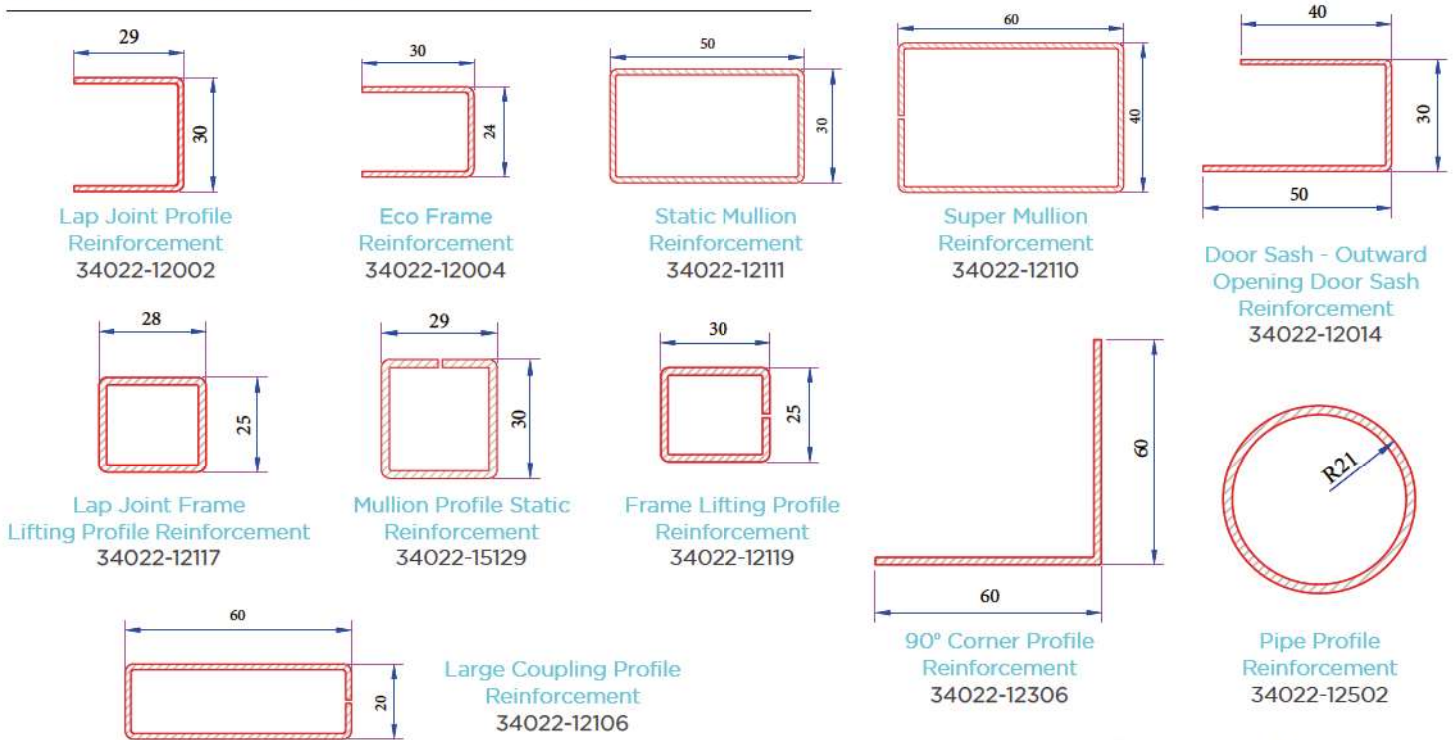
Universal Short Coupling Profile
099.5004



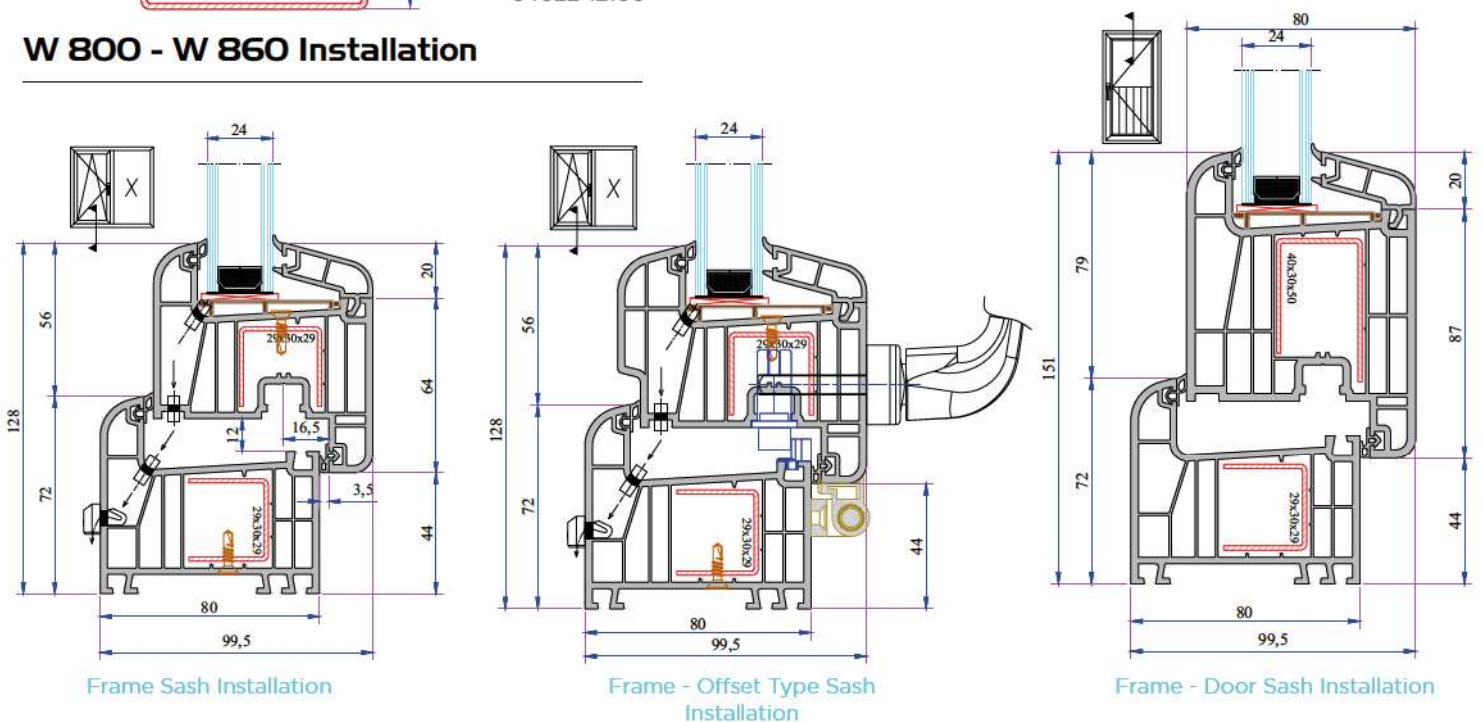
Coupling Profile
099.5003



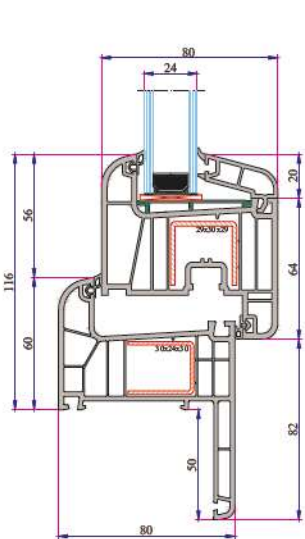
W 800 - W 860 Re-Inforcement Profiles



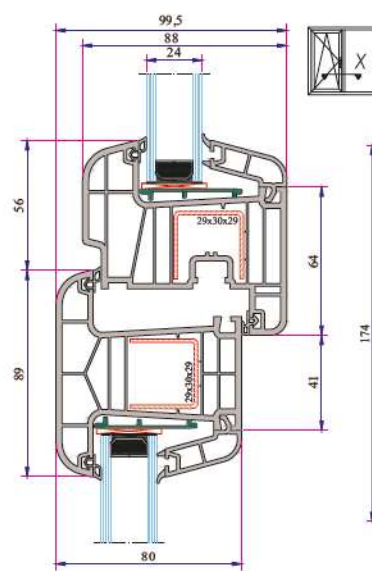
W 800 - W 860 Installation



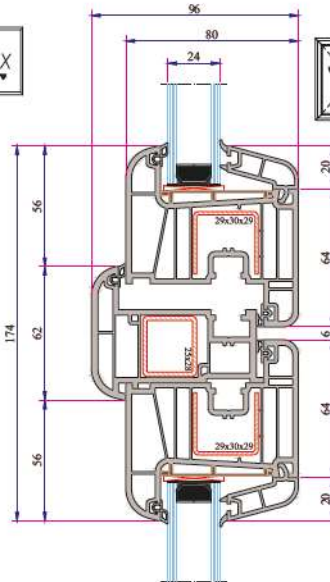
W 800 - W 860 SERIES PVC PROFILE SYSTEM



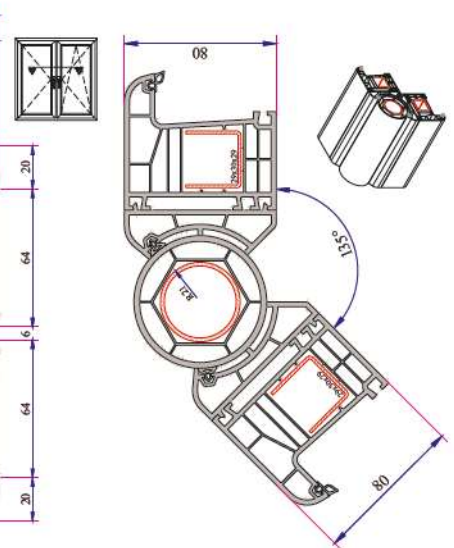
Frame Profile with Sill - Sash Installation



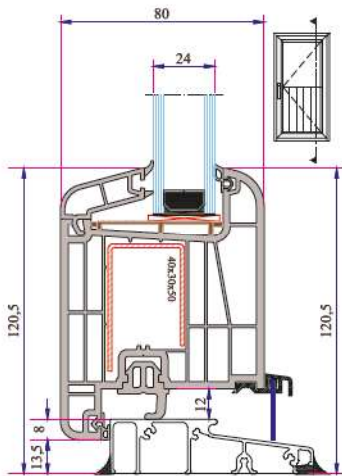
Sash - Mullion Profile Installation



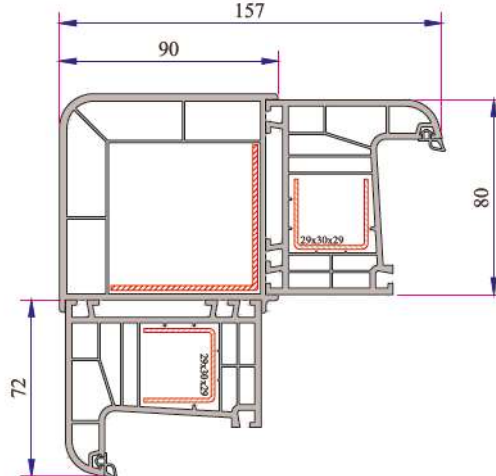
Sash - Lap Joint Installation



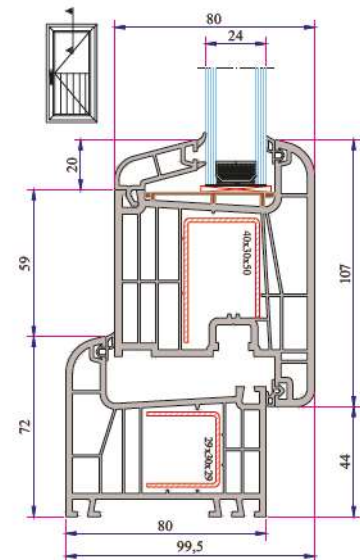
Pipe Profile Installation



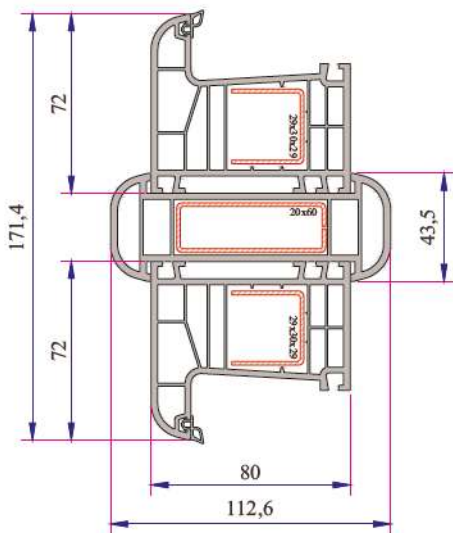
With Aluminium Threshold - Door Sash Installation



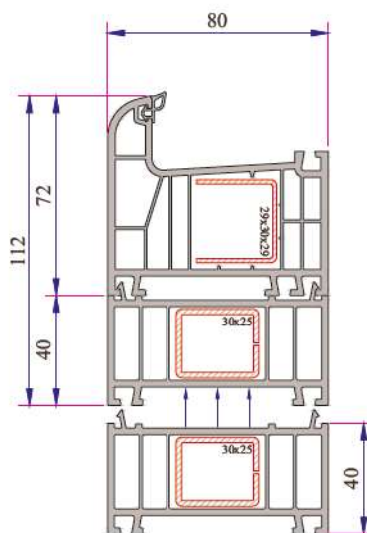
90° Corner Profile Installation



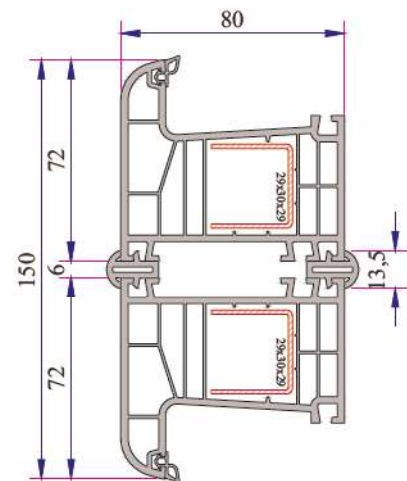
Frame - Outward Opening Door Sash Installation



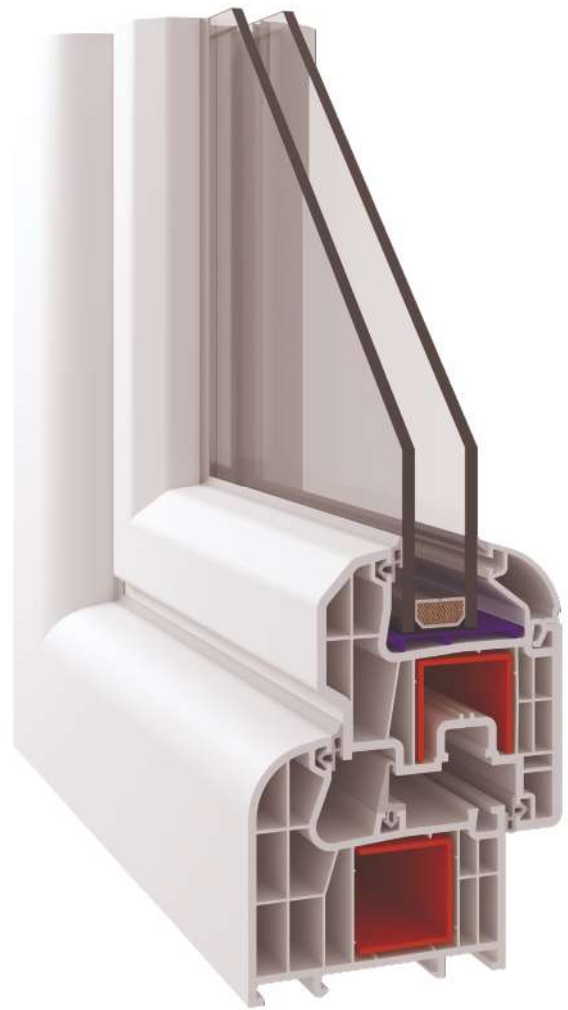
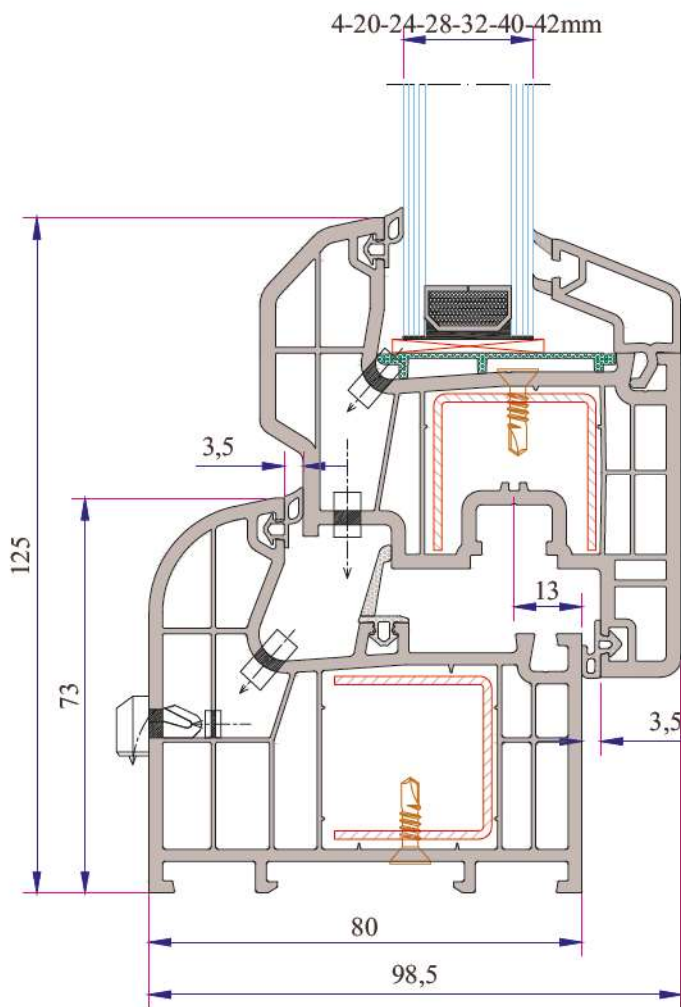
Large Coupling Installation



Frame Lifting Installation



Short Coupling Installation



TECHNICAL

W 873 MD SERIES

Profile Width: 80 mm

Number of chambers: 6

Profile Class: B Class (TS EN 12608-1)

Seal Type: External / Internal triple seal system

Seal Type and Color: TPE - Grey /Black

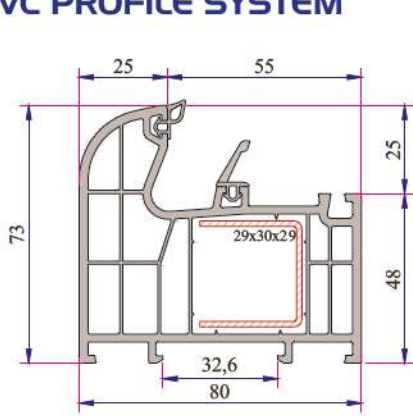
Glass Thickness (mm): 4, 20, 24, 28, 32, 40, 42 mm

The thermal insulation Uf: 1,15 W/m²K

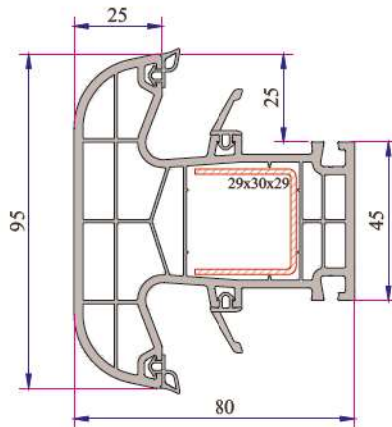
INSTRUCTION

- The profiles have frame 80 mm, sash 70 mm width.
- Because of the elastic grey and black seal which does not leave any stain on profiles will be provided maximum air, water, dust and sound isolation.
- Due to the 6 chambers profiles, it has maximum performance for thermal, sound and water isolation.
- It is a series of profiles with very special design that provides maximum wind resistance on high rise buildings.
- In addition to white profile a different laminated color range is available.
- 4-5 mm single glazing, application of 20, 24, 32, 42 mm glazing beads give us alternatives of using double, triple glazing and panels.

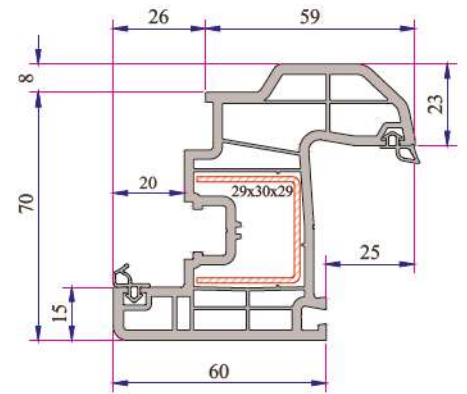
W 873 MD SERIES PVC PROFILE SYSTEM



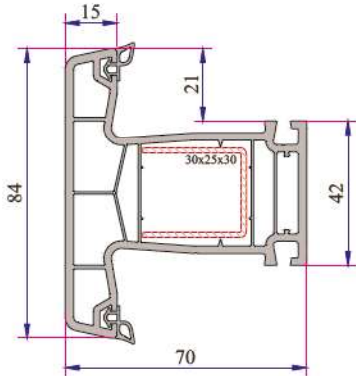
Frame Profile
873.1000



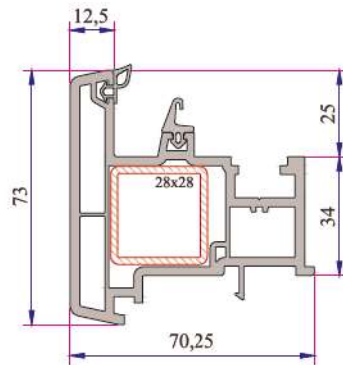
Mullion Profile
873.3000



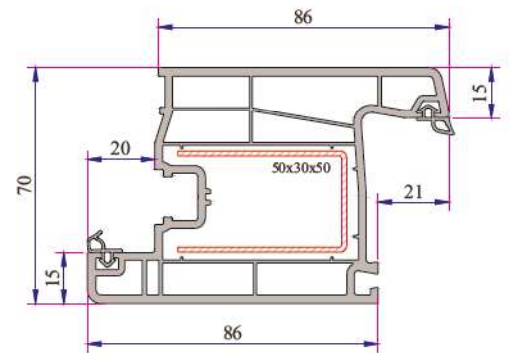
Offset Type Sash Profile
777.2000



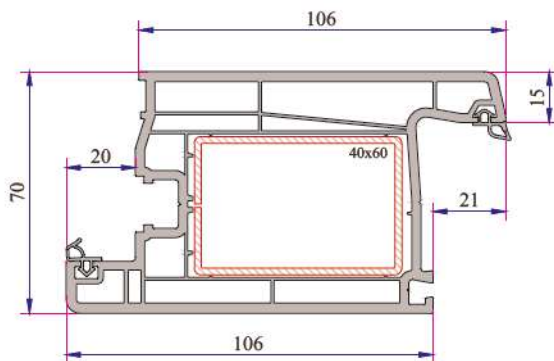
Mullion Profile For Door
750.3000



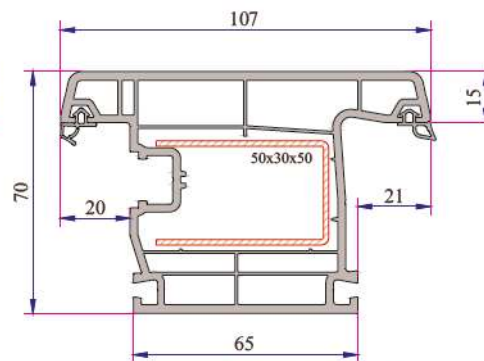
Lap Joint Profile
777.3100



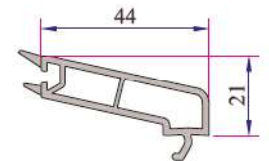
Door Sash Profile
750.2100



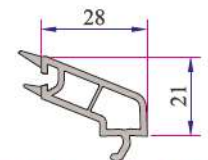
Super Door Sash Profile
750.2103



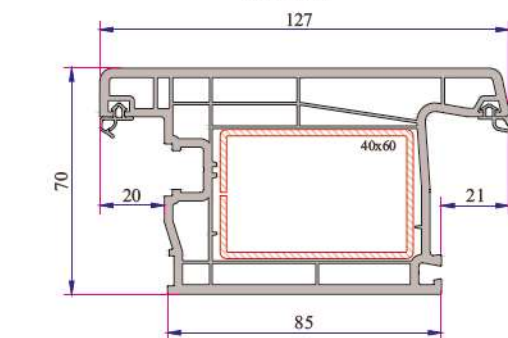
Outward Opening Door Sash Profile
750.2101



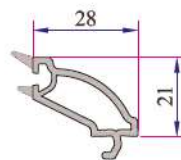
Single Glazing Bead 4-6 mm
P.A750.4000



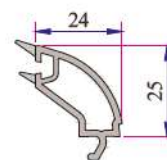
Double Glazing Bead 20 mm
750.4100



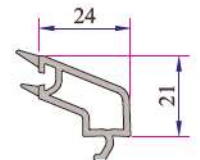
Outward Opening Super Door Sash Profile
752.2104



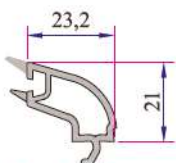
Dec. Double Glazing
Bead 20 mm
750.4102



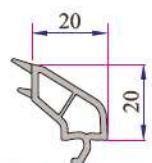
Double Glazing
Bead 24 mm
777.4204



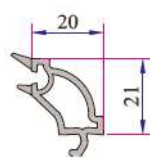
Double Glazing
Bead 24 mm
750.4200



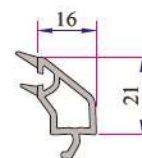
Double Glazing
Bead 24 mm
750.4204



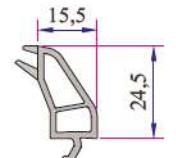
Double Glazing
Bead 28 mm
101.4100



Dec. Double Glazing
Bead 28 mm
101.4102



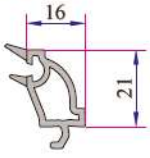
Triple Glazing
Bead 32 mm
750.4500



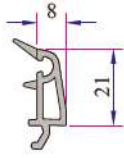
Triple Glazing
Bead 32 mm
433.4200

** 873 series Frame and Mullion Profile Glazing Bead dimensions is different. For frame and Mullion Profile Glass size check page 170.

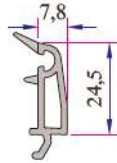
W 873 MD SERIES PVC PROFILE SYSTEM



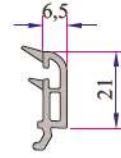
Dec. Triple Bead 32 mm
101.4202



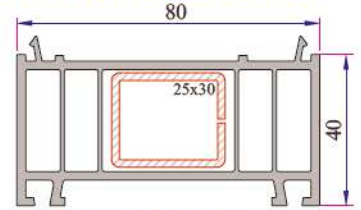
Triple Glazing Bead 40 mm
101.4500



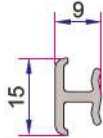
Triple Glazing Bead 40 mm
433.4500



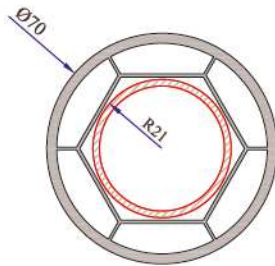
Triple Glazing Bead 42 mm
532.4500



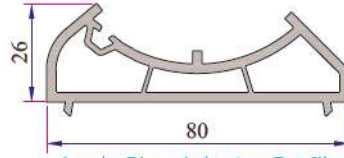
Frame Lifting Profile
080.5300



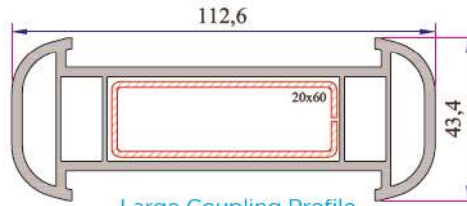
Universal Short Coupling Profile
099.5004



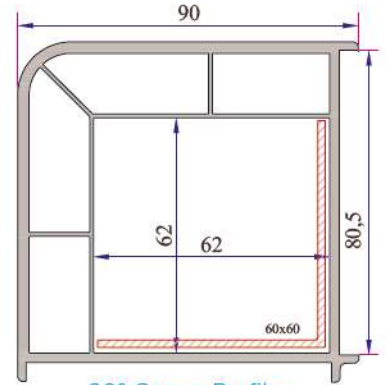
Pipe Profile
070.5106



Angle Pipe Adaptor Profile
080.5104

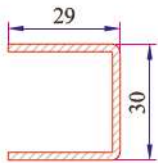


Large Coupling Profile
080.5000

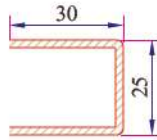


90° Corner Profile
080.5100

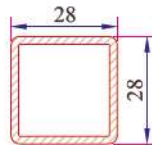
W 873 MD Re-Inforcement Profiles



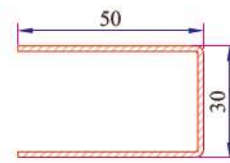
Frame, Sash, Mullion Profile Reinforcement
34022-12002



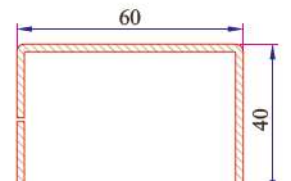
Mullion Profile For Door Reinforcement
34022-12004



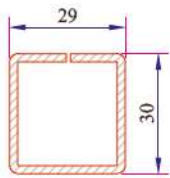
Lap Joint Profile Reinforcement
34022-12113



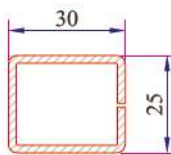
Door Sash - Outward Opening Door Sash Profile Reinforcement
34022-12013



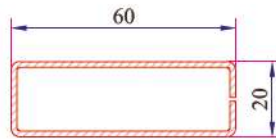
Super Door Sash - Super Outward Opening Door Sash Profile Reinforcement
34022-12110



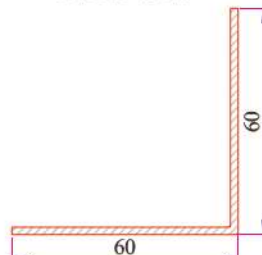
Mullion Profile Static Reinforcement
34022-15129



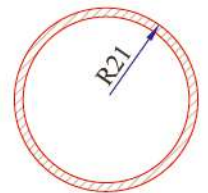
Frame Lifting Profile Reinforcement
34022-12119



Large Coupling Profile Reinforcement
34022-12106

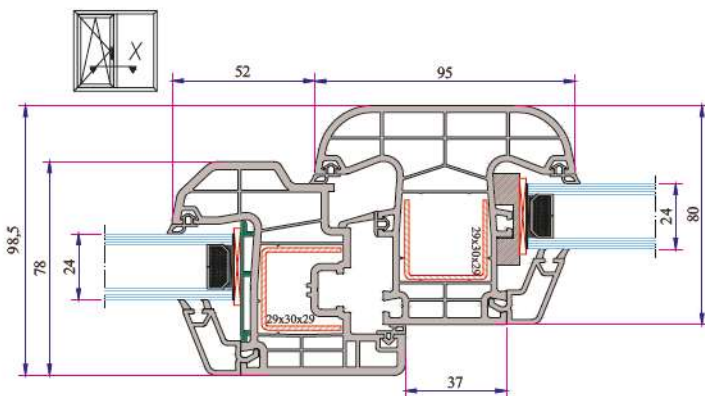


90° Corner Profile Reinforcement
34022-12306

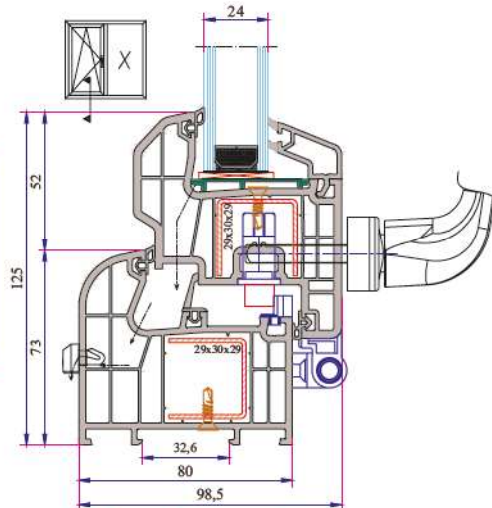


Pipe Profile Reinforcement
34022-12502

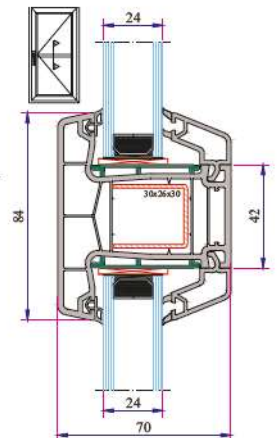
W 873 MD Installation



Mullion - Offset type sash Installation

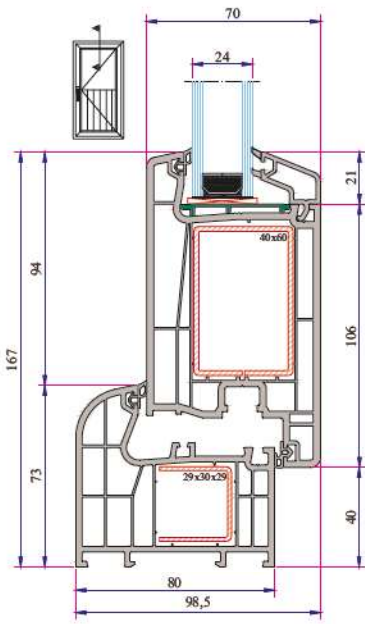


Frame-Sash Installation

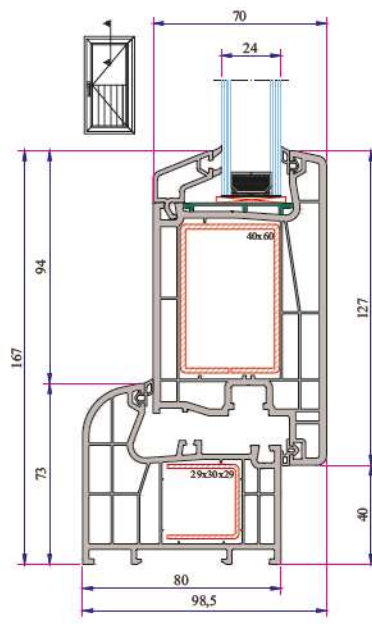


Door Sash- Mullion Installation

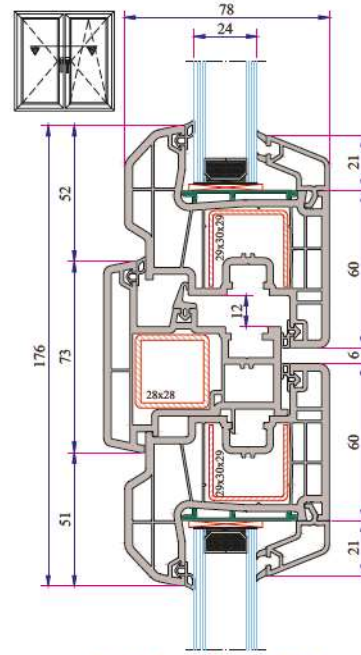
W 873 MD SERIES PVC PROFILE SYSTEM



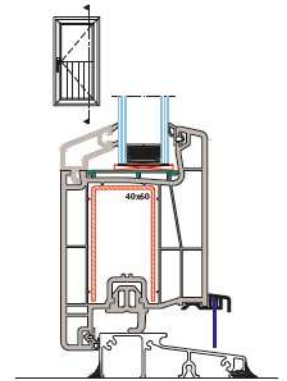
Frame - Super Door Sash Installation



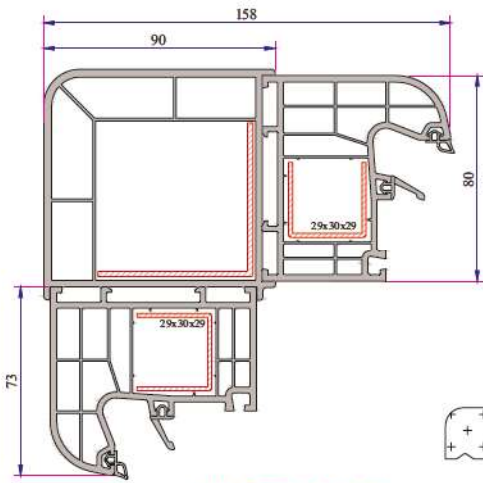
Frame - Super Outward Opening Door Sash Installation



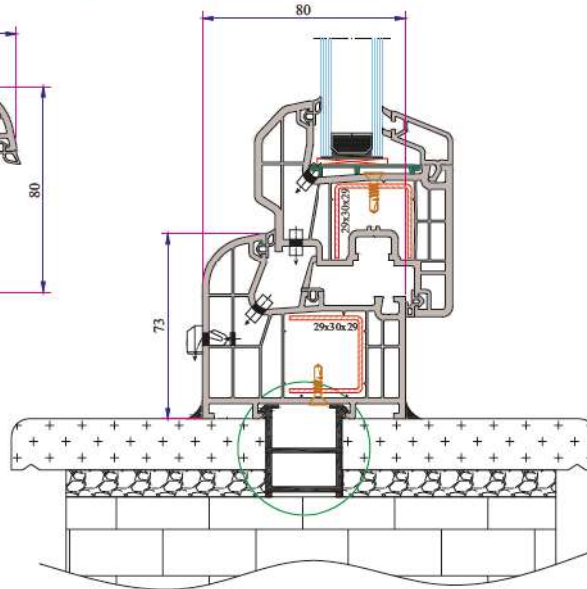
Sash -Lap Joint - Sash Installation



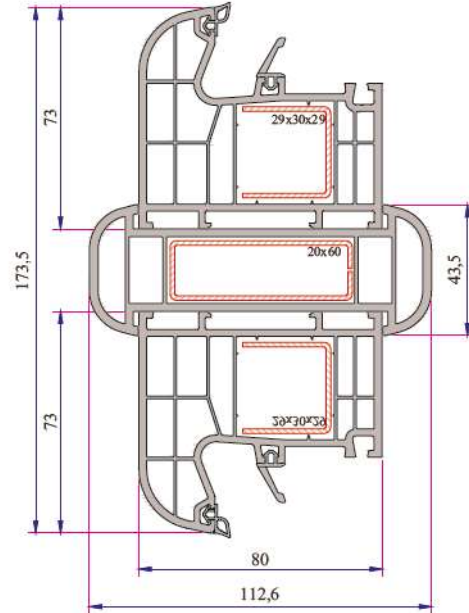
With Aluminium Threshold - Door Sash Installation



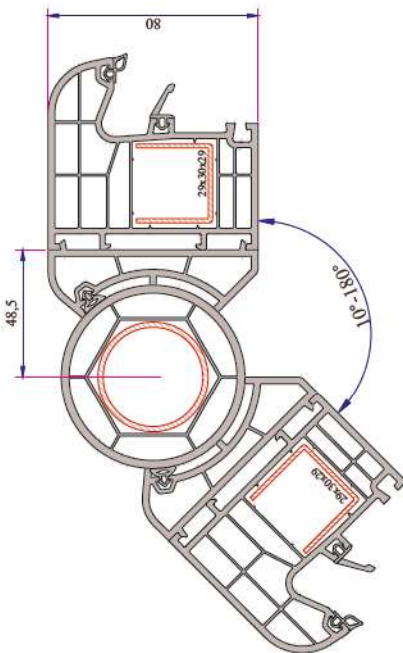
90° Corner Profile Installation



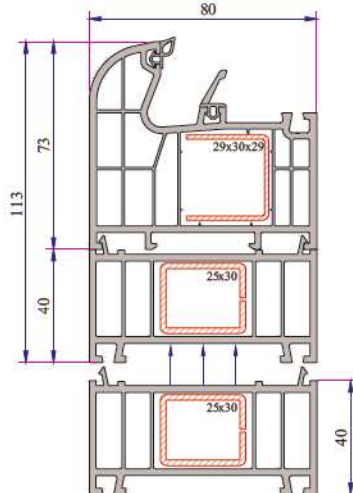
Frame Profile Installation



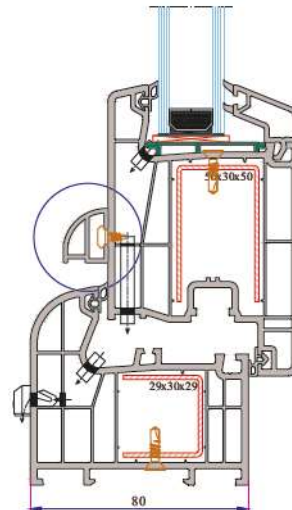
Large Coupling Profile Installation



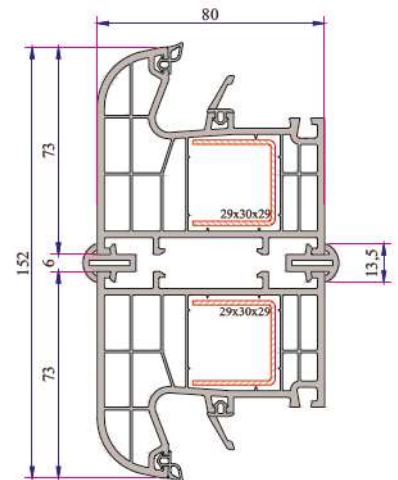
Pipe Profile Installation



Frame Lifting Profile Installation



Offset Profile Installation



Short Coupling Profile







www.ado.com.tr

FACTORY

Antalya Organize Sanayi Bölgesi 2.Kısım Mah. 21.Cadde No:3

07040 Döşemealtı / ANTALYA / TURKEY

Tel : +90 242 236 20 00 · Faks : +90 242 236 20 90 · Email : info@ado.com.tr

