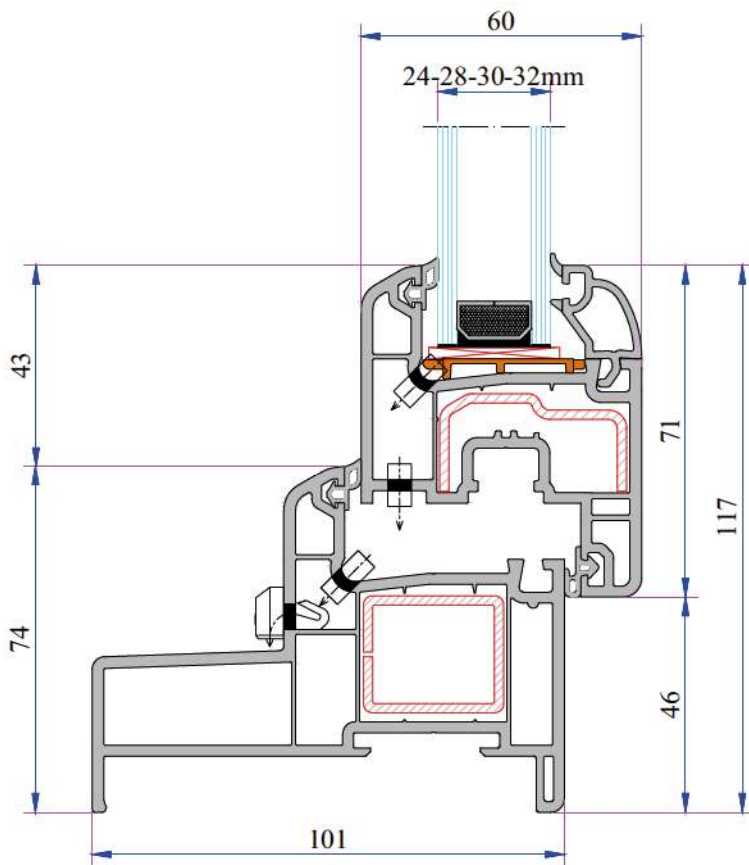


W FR 60 SERIES · W FR 70 SERIES

The logo for ADO, featuring the letters 'ADO' in a bold, blue, sans-serif font. The letters are flanked by stylized horizontal lines that resemble wings or a modern architectural motif.

PVC PROFILE
TECHNICAL SPECIFICATION





TECHNICAL

W FR 60 SERIES

Profile Width: 60 mm

Number of chambers: 3

Profile Class: B Class (TS EN 12608-1)

Seal Type: External / Internal double seal system

Seal Type and Color: TPE - Grey /Black

Glass Thickness (mm): 24, 28, 30, 32 mm

W FR 70 SERIES

Profile Width: 70 mm

Number of chambers: 5

Profile Class: B Class (TS EN 12608-1)

Seal Type: External / Internal double seal system

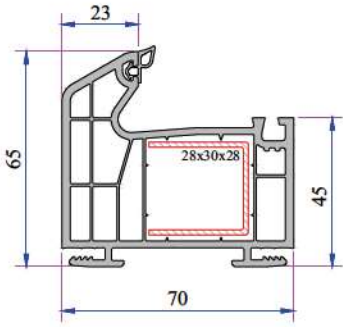
Seal Type and Color: TPE - Grey /Black

Glass Thickness (mm): 24, 28, 30, 32 mm

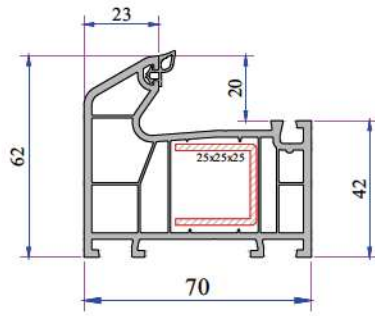
INSTRUCTION

- The profiles have 60 mm width.
- Because of the elastic grey and black seal which does not leave any stain on profiles will be provided maximum air, water, dust and sound isolation.
- Due to the 3 chambers profiles, it has maximum performance for thermal, sound and water isolation.
- It is a series of profiles with very special design that provides maximum wind resistance on high rise buildings.
- Excluding normal sash profile there is also chance to have a choice for offset type sash profile.
- In addition to white profile a different laminated color range is available.
- Application of 24, 28, 30, 32 mm glazing beads give us alternatives of using double, triple glazing and panels.
- It provides the visual integrity in the inner surface and the frame-wall connections due to integrated frame with sill profile.

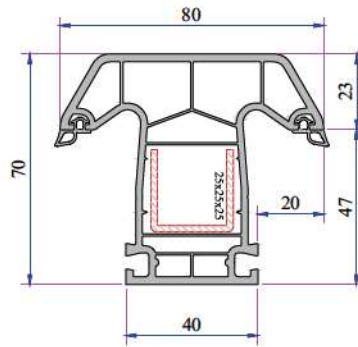
FR 70 Serie Profiles



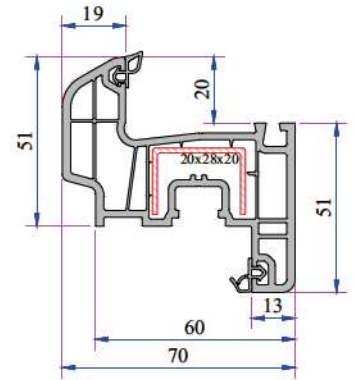
Renovation Frame Profile
45 mm
900.1008



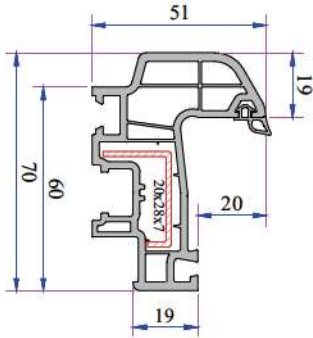
Frame Profile 42 mm
706.1000



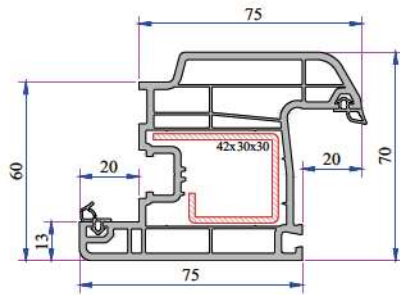
Mullion Profile for Frame 40 mm
706.3000



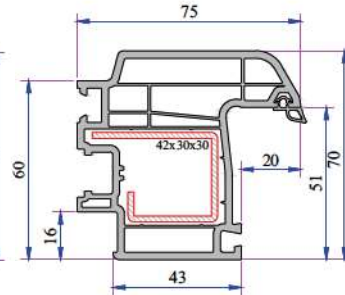
Offset Type Sash Profile
51 mm
900.2200



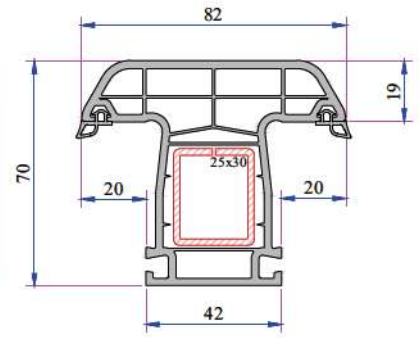
Integrated Lap Joint
Profile for Sash
900.2202



Door Sash Profile 75 mm
900.2009

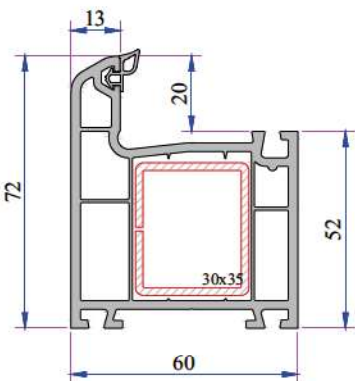


Integrated Lap Joint Profile for
Door
900.2010

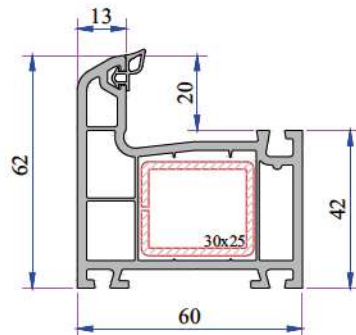


Mullion Profile for Sash
42 mm
900.3004

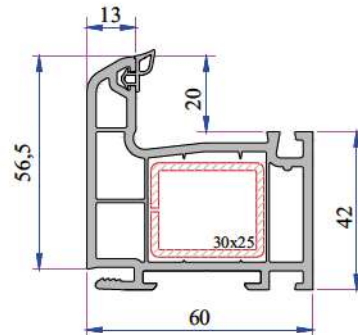
FR 60 Serie Profiles



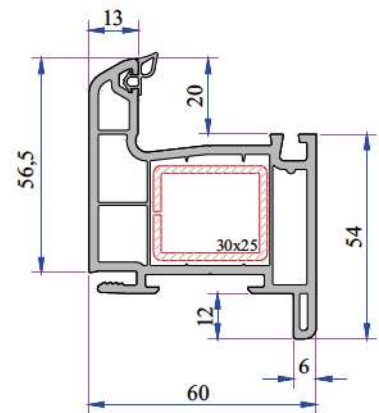
Super Frame Profile 52 mm
900.1001



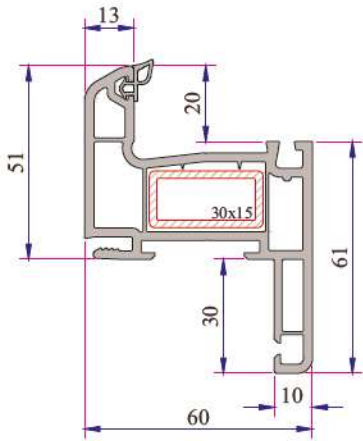
Frame Profile 42 mm
900.1000



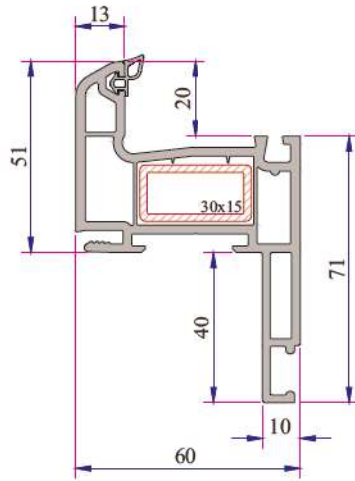
Renovation Frame Profile 42 mm
900.1006



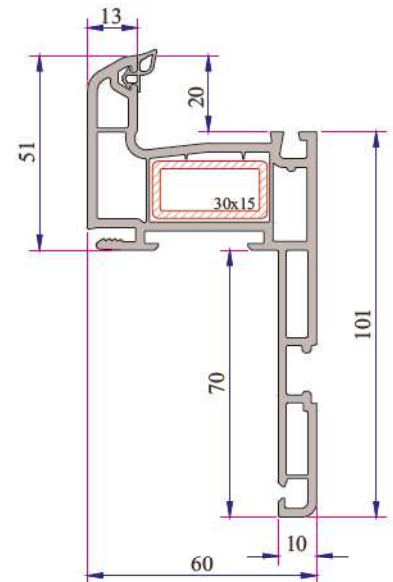
Renovation Frame Profile
with sill 12 mm
900.1005



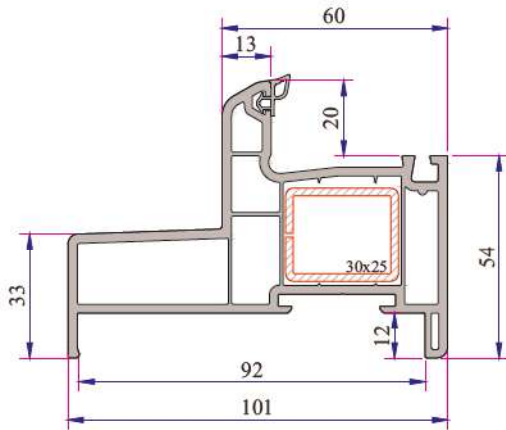
Renovation Frame Profile with sill
30 mm
900.1203



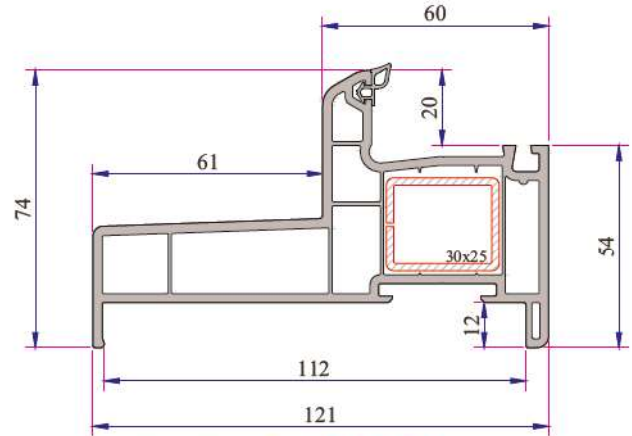
Renovation Frame Profile with sill
40 mm
900.1204



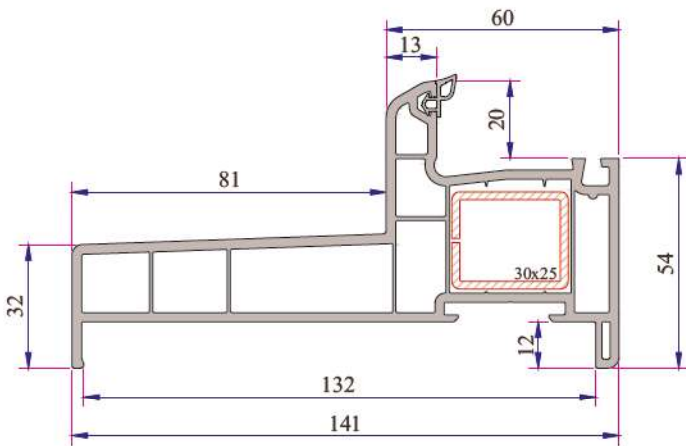
Renovation Frame Profile with sill
70 mm
900.1205



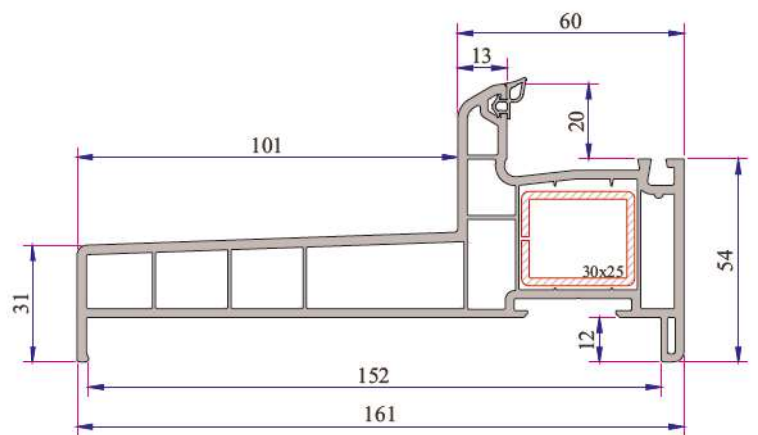
Monoblock Frame Profile 100 mm
900.1300



Monoblock Frame Profile 120 mm
900.1301

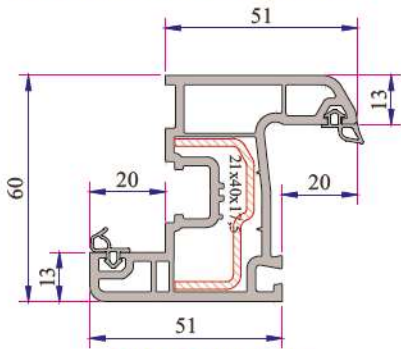


Monoblock Frame Profile 140 mm
900.1302

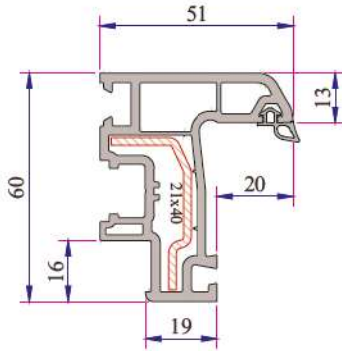


Monoblock Frame Profile 160 mm
900.1303

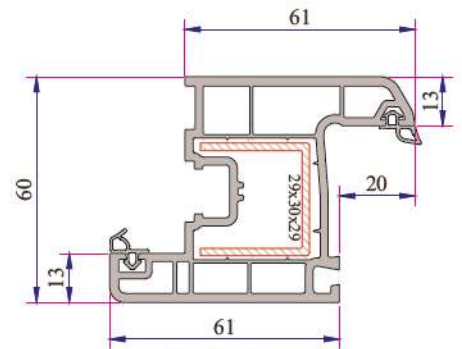
W FR 70 - 60 SERIES PVC PROFILE SYSTEM



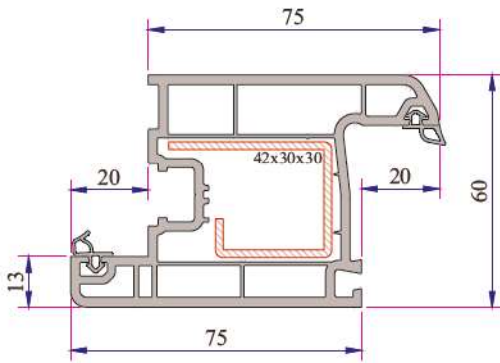
Sash Profile 51 mm
900.2005



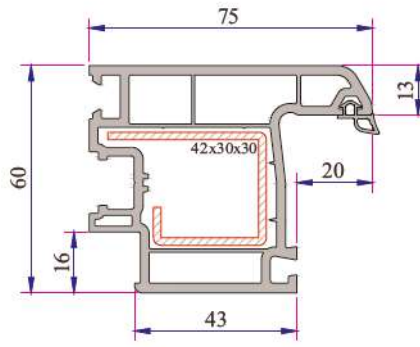
Offset Type Sash Lap Joint
Profile
900.2006



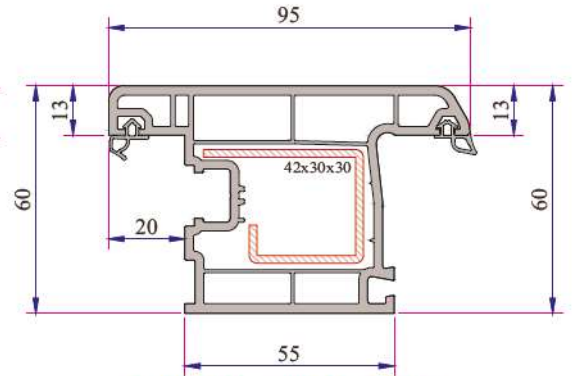
Sash Profile 61 mm
632.2000



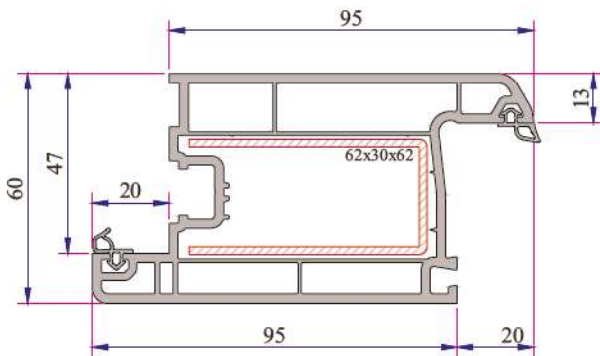
Eco Door Sash Profile
75 mm
900.2107



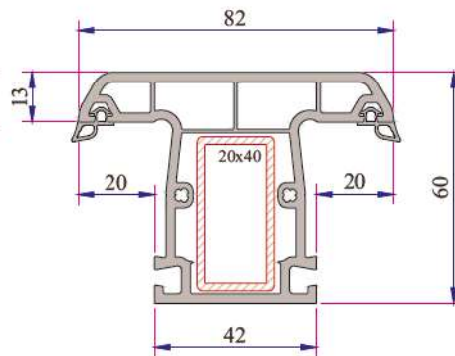
Offset Type Door Lap Joint
Profile
900.2008



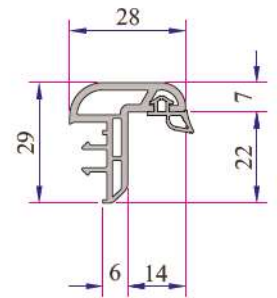
Outward Opening Door Sash
Profile 55 mm
900.2101



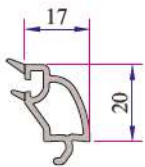
Door Sash Profile 95 mm
900.2100



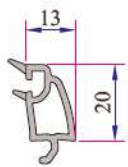
Static Mullion Profile 42 mm
900.3003



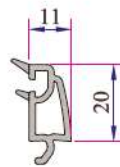
Lap Joint Outside Cover
Profile
900.3100



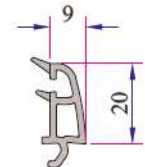
Double Glazing Bead
for 24mm
900.4206



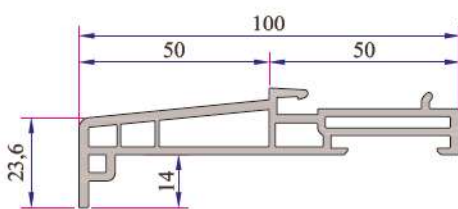
Double Glazing Bead
for 28mm
900.4306



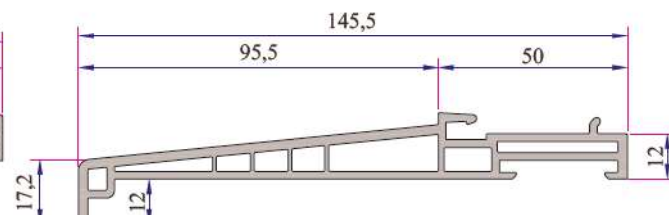
Double Glazing Bead
for 30mm
900.4406



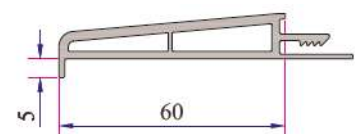
Double Glazing Bead
for 32mm
900.4506



Outside Sill Profile 50 mm for
Renovation Frame
900.6301

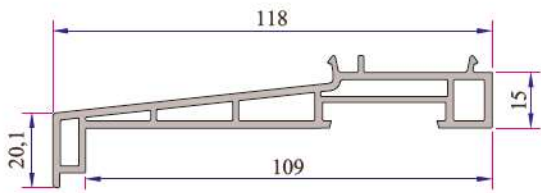


Outside Sill Profile 95 mm for
Renovation Frame
900.6300

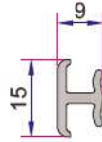


Outside Sill Profile 60 mm
for Renovation Frame
706.5528

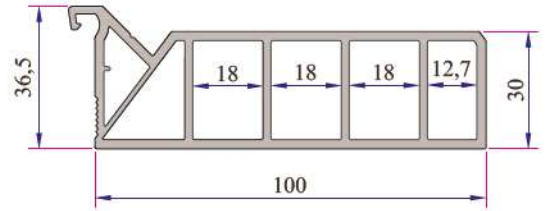
W FR 70 - 60 SERIES PVC PROFILE SYSTEM



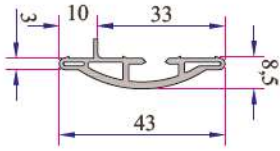
Sill Profile 58mm
058.5504



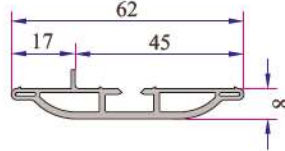
Universal Short Coupling Profile
099.5004



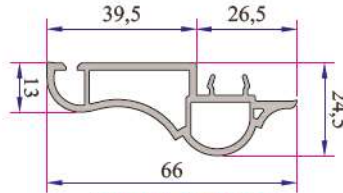
Frame Top Sill Profile 100mm
900.6308



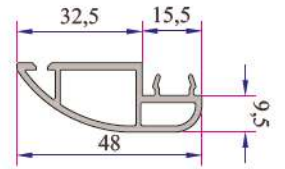
Lap Joint Inside Cover Profile 43 mm for Sash
900.6303



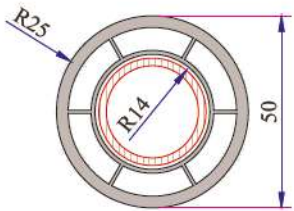
Lap Joint Inside Cover Profile 62 mm for Door
900.6302



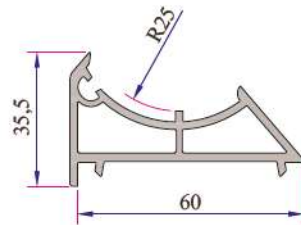
WF-HA-CLAP66
Habillage à clipper 66 mm sur l'aile de 40 mm du dormant
900.6305



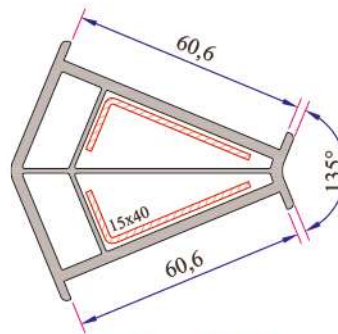
WF-HA-CLAP48
Habillage à clipper 48 mm sur l'aile de 40 mm du dormant
900.6304



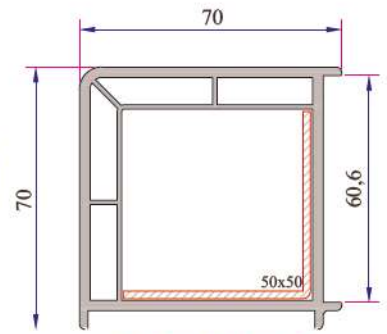
Pipe Profile
050.5106



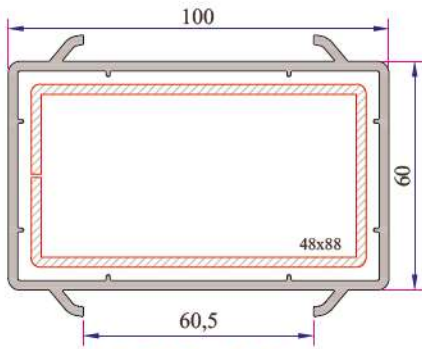
Angle Pipe Adaptor Profile
060.5104



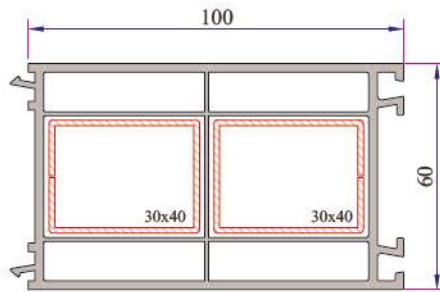
135° Corner Profile
060.5102



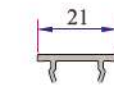
90° Corner Profile
060.5100



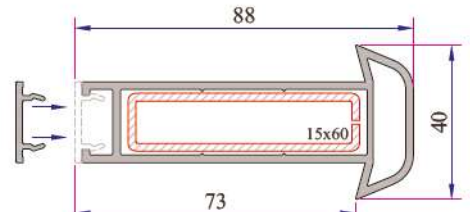
60x100 Box Profile
060.5203 0



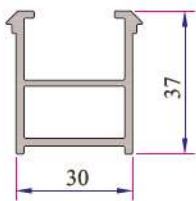
Frame Lifting Profile 100mm
900.5303



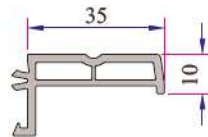
Uni. Large Coupling Cover Profile
058.5707



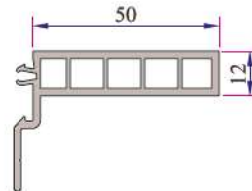
Universal Large Coupling Profile
058.5000



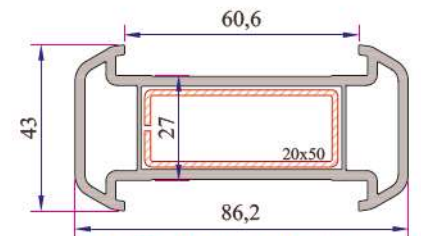
Frame Montage Profile
060.5301



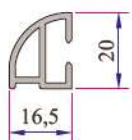
Frame Sill 35mm
099.5523



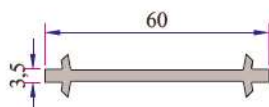
Frame Sill 50mm
099.5524



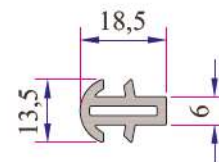
Large Coupling Profile
060.5000



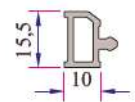
Offset Profile
900.6307



Narrow Coupling Profile
060.5001

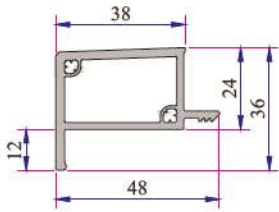


Short Coupling Profile
099.5003

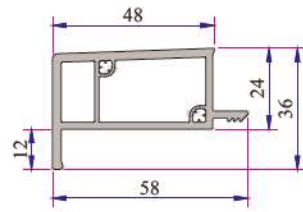


WF-HA-EPA10
Habillage d'épaisseur 10 mm à clipser derrière l'aile rênô
900.6306

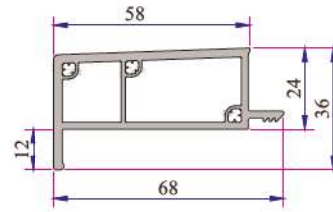
W FR 70 - 60 SERIES PVC PROFILE SYSTEM



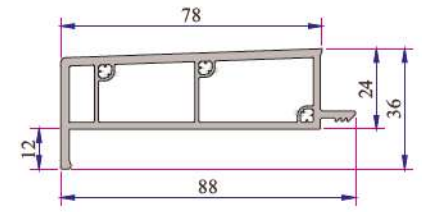
Expansion Sill Profile 38mm
900.5529



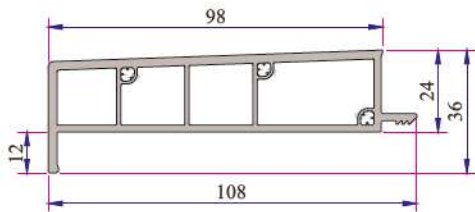
Expansion Sill Profile 48mm
900.5530



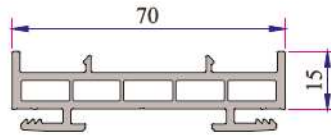
Expansion Sill Profile 58mm
900.5531



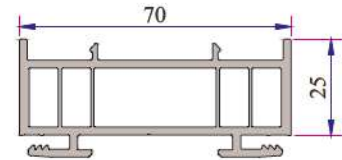
Expansion Sill Profile 78mm
900.5532



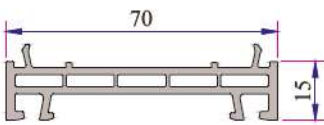
Expansion Sill Profile 98mm
900.5533



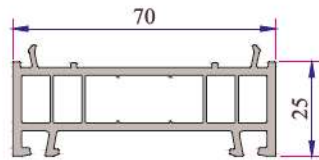
Attached Frame Lifting
Profile 15mm
900.5305



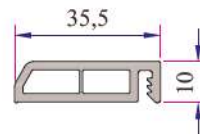
Attached Frame Lifting
Profile 25mm
900.5307



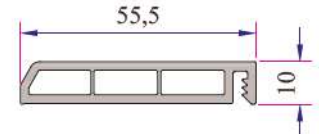
Frame Lifting Profile 15mm
070.5304



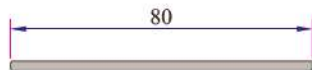
Frame Lifting Profile 25mm
070.5306



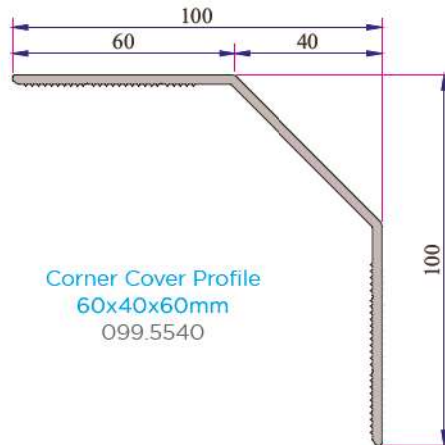
Outboard Sill Profile 35.5mm
900.5535



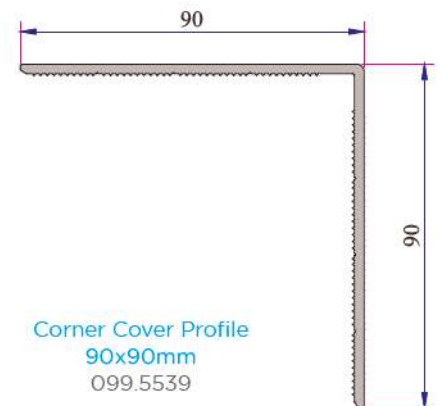
Outboard Sill Profile 55.5mm
900.5534



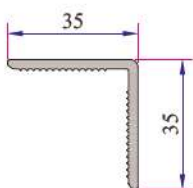
Cover Profile 80mm
099.5541



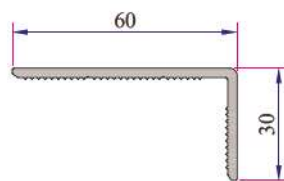
Corner Cover Profile
60x40x60mm
099.5540



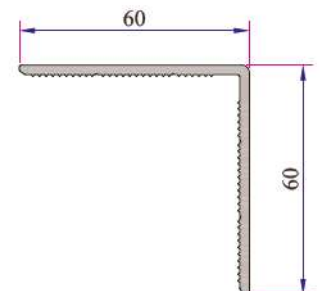
Corner Cover Profile
90x90mm
099.5539



Corner Cover Profile
35x35mm
099.5536

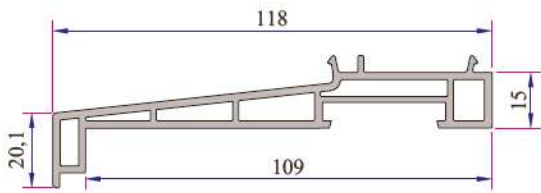


Corner Cover Profile
60x30mm
099.5538

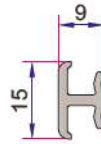


Corner Cover Profile
60x60mm
099.5537

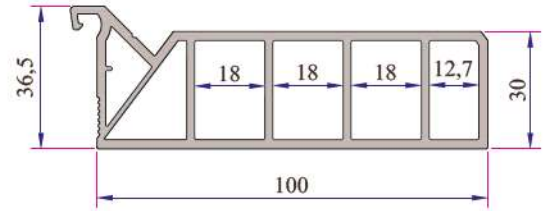
W FR 70 - 60 SERIES PVC PROFILE SYSTEM



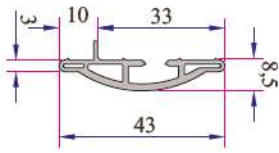
Sill Profile 58mm
058.5504



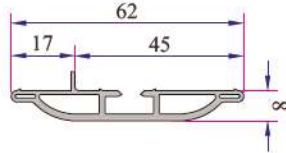
Universal Short Coupling Profile
099.5004



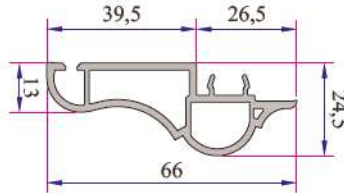
Frame Top Sill Profile 100mm
900.6308



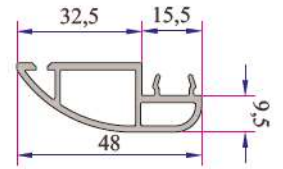
Lap Joint Inside Cover Profile 43 mm for Sash
900.6303



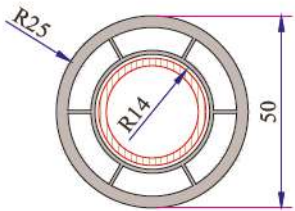
Lap Joint Inside Cover Profile 62 mm for Door
900.6302



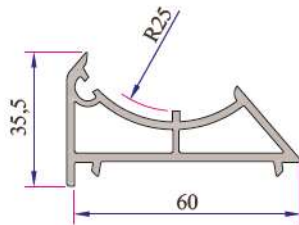
WF-HA-CLAP66
Habillage à clipper 66 mm sur l'aile de 40 mm du dormant
900.6305



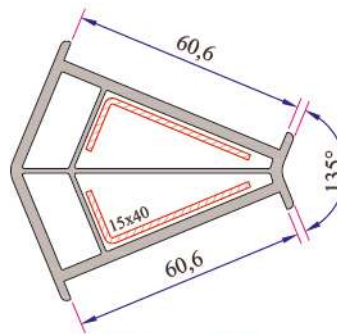
WF-HA-CLAP48
Habillage à clipper 48 mm sur l'aile de 40 mm du dormant
900.6304



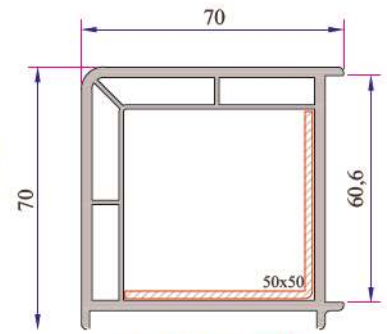
Pipe Profile
050.5106



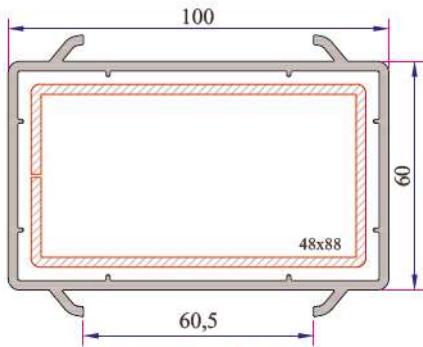
Angle Pipe Adaptor Profile
060.5104



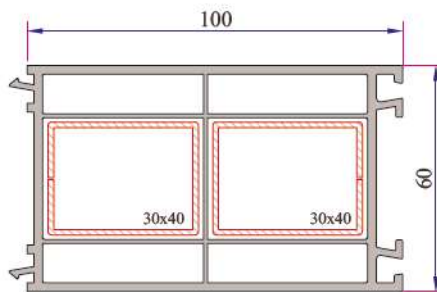
135° Corner Profile
060.5102



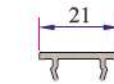
90° Corner Profile
060.5100



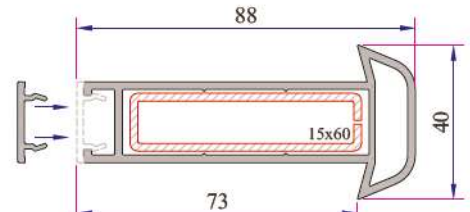
60x100 Box Profile
060.5203 0



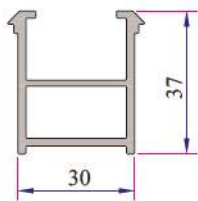
Frame Lifting Profile 100mm
900.5303



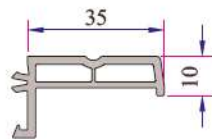
Uni. Large Coupling Cover Profile
058.5707



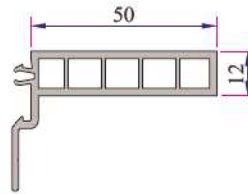
Universal Large Coupling Profile
058.5000



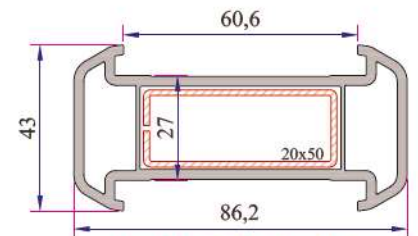
Frame Montage Profile
060.5301



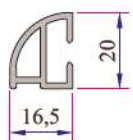
Frame Sill 35mm
099.5523



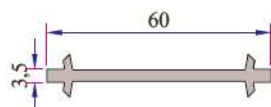
Frame Sill 50mm
099.5524



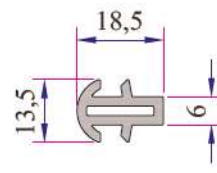
Large Coupling Profile
060.5000



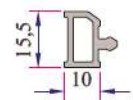
Offset Profile
900.6307



Narrow Coupling Profile
060.5001

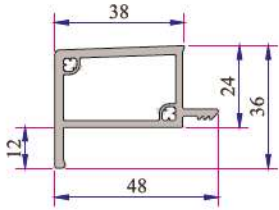


Short Coupling Profile
099.5003

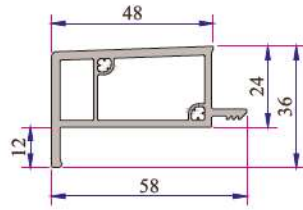


WF-HA-EPA110
Habillage d'épaisseur 10 mm à clipser derrière l'aile rênô
900.6306

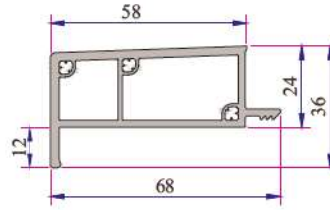
W FR 70 - 60 SERIES PVC PROFILE SYSTEM



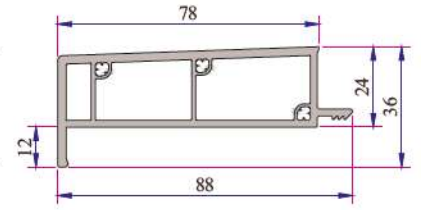
Expansion Sill Profile 38mm
900.5529



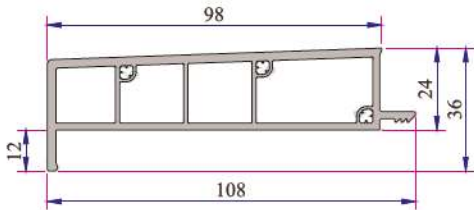
Expansion Sill Profile 48mm
900.5530



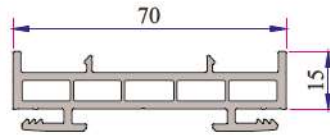
Expansion Sill Profile 58mm
900.5531



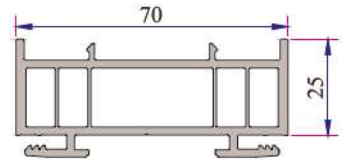
Expansion Sill Profile 78mm
900.5532



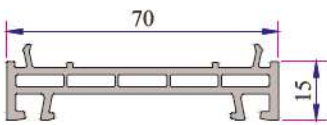
Expansion Sill Profile 98mm
900.5533



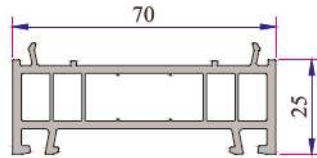
Attached Frame Lifting
Profile 15mm
900.5305



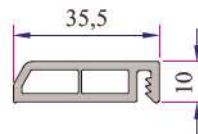
Attached Frame Lifting
Profile 25mm
900.5307



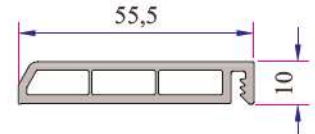
Frame Lifting Profile 15mm
070.5304



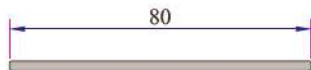
Frame Lifting Profile 25mm
070.5306



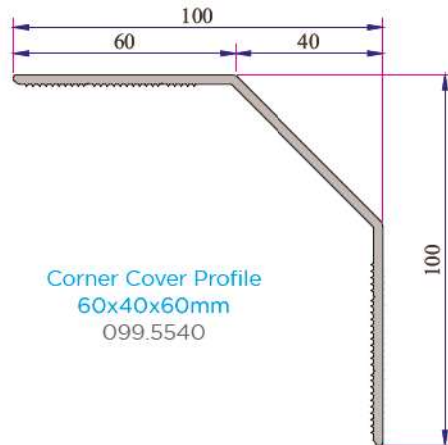
Outboard Sill Profile 35.5mm
900.5535



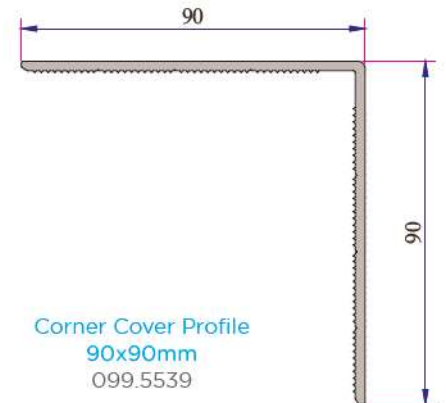
Outboard Sill Profile 55.5mm
900.5534



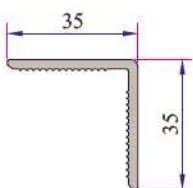
Cover Profile 80mm
099.5541



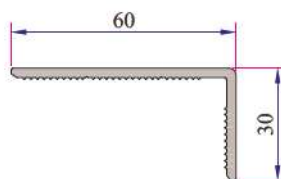
Corner Cover Profile
60x40x60mm
099.5540



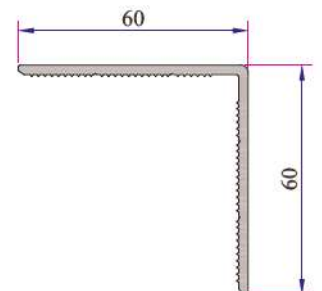
Corner Cover Profile
90x90mm
099.5539



Corner Cover Profile
35x35mm
099.5536

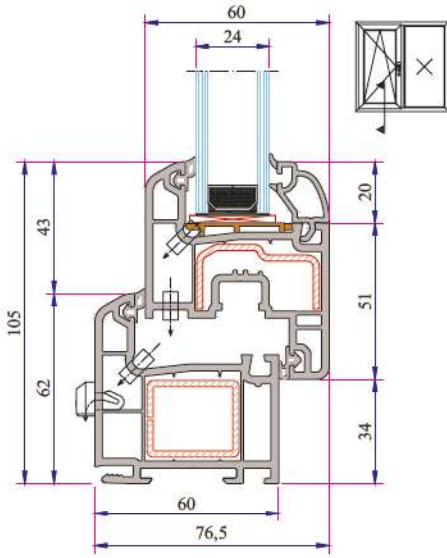


Corner Cover Profile
60x30mm
099.5538

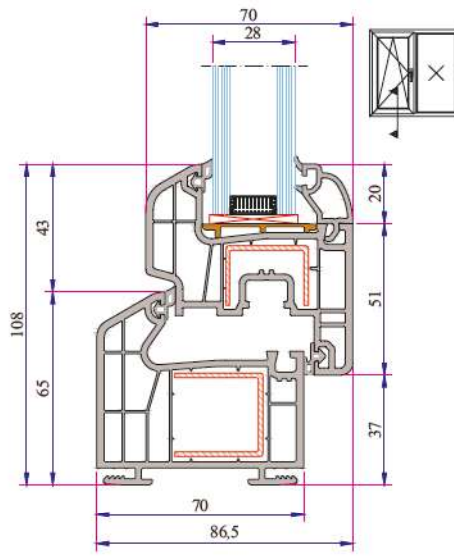


Corner Cover Profile
60x60mm
099.5537

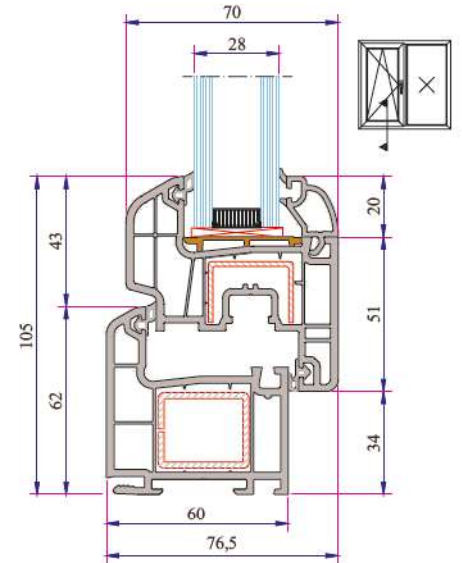
FR 60 Installation



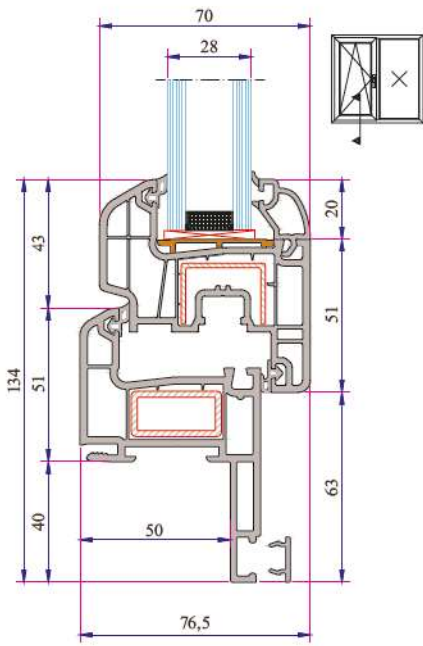
Frame - Narrow Sash Installation



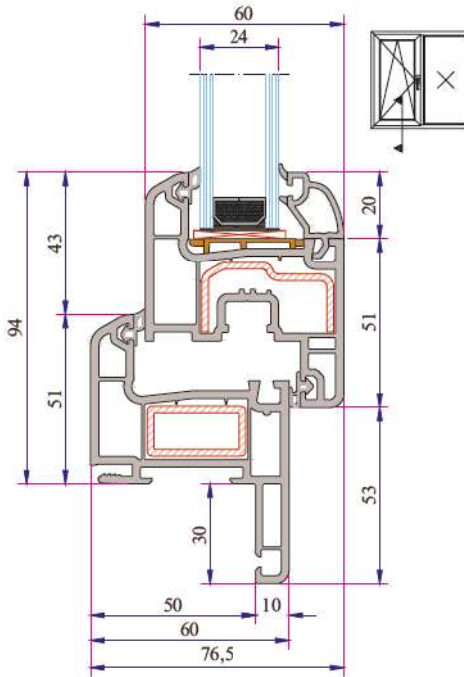
FR 70 Frame - Offset Type Sash Installation



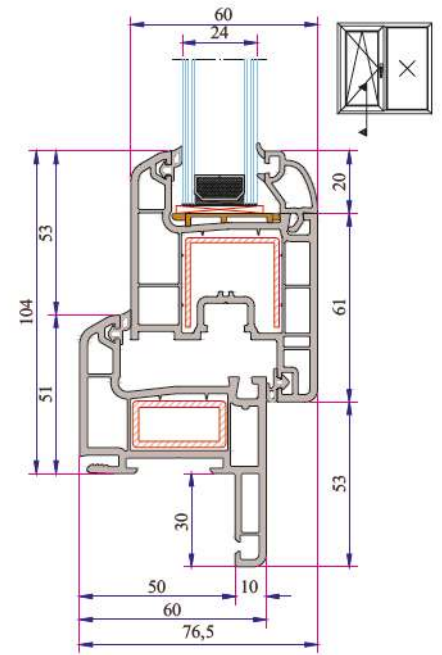
Frame - Offset Type Sash Installation



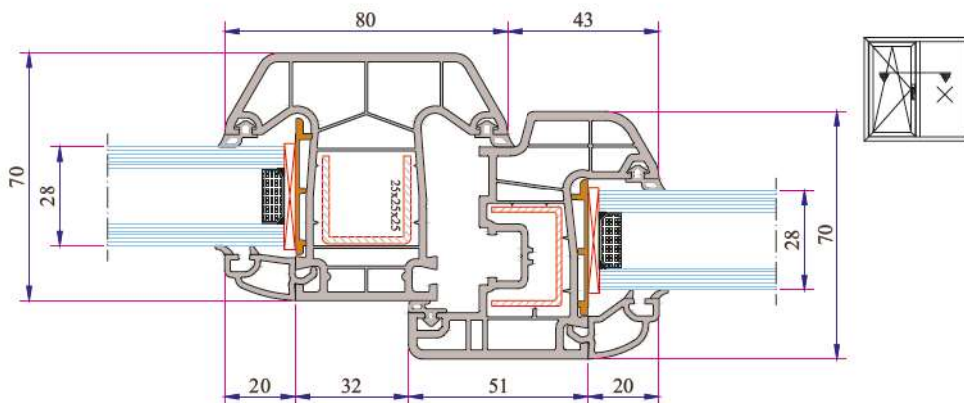
40mm Frame with Sill - Offset Type Sash Installation



30mm Frame with Sill - Narrow Sash Installation

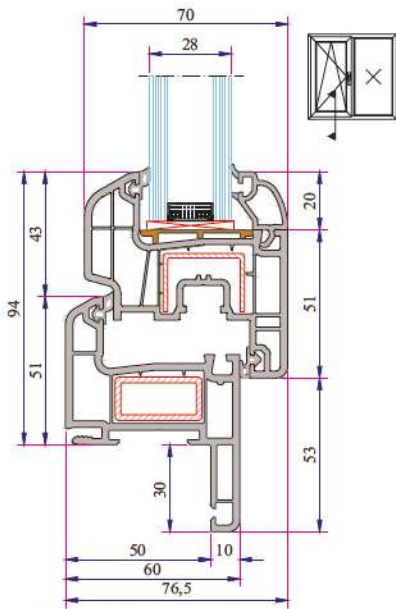


30mm Frame with Sill - Sash Installation

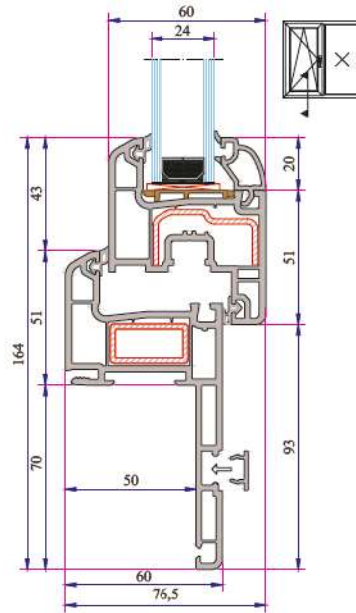


Mullion - Offset Type Sash Installation

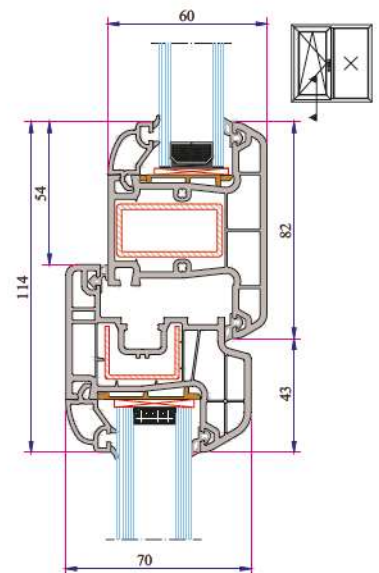
W FR 70 - 60 SERIES PVC PROFILE SYSTEM



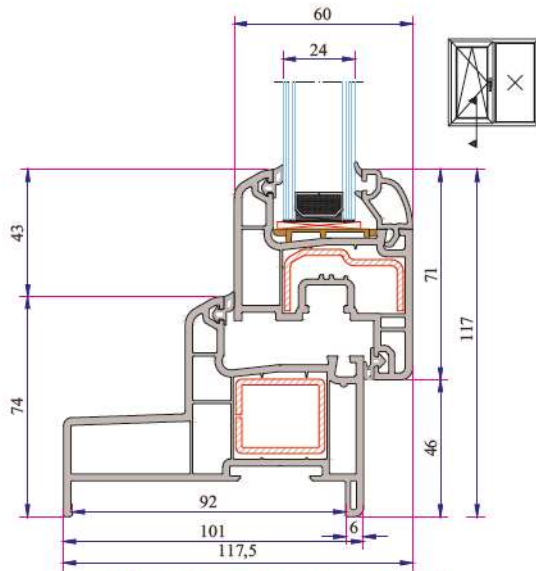
30mm Frame with Sill - Offset Type Sash Installation



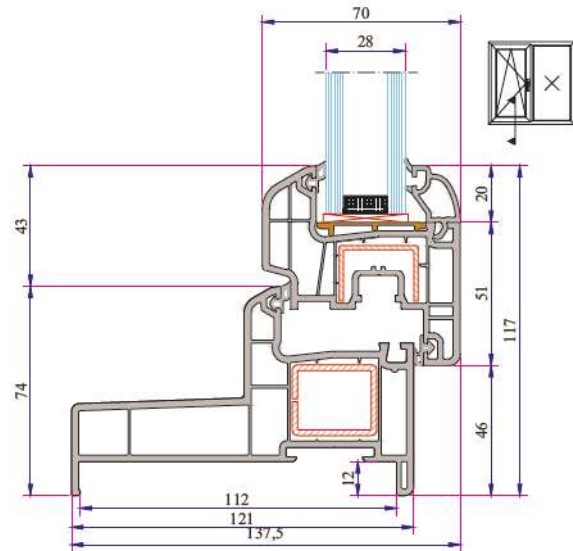
70mm Frame with Sill - Narrow Sash Installation



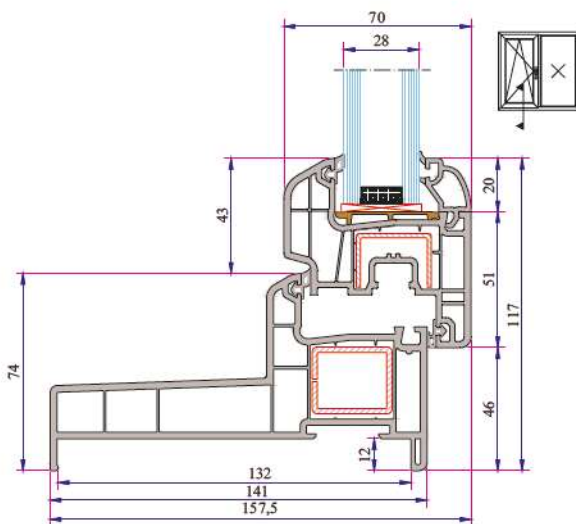
Offset Type Sash - Mullion Installation



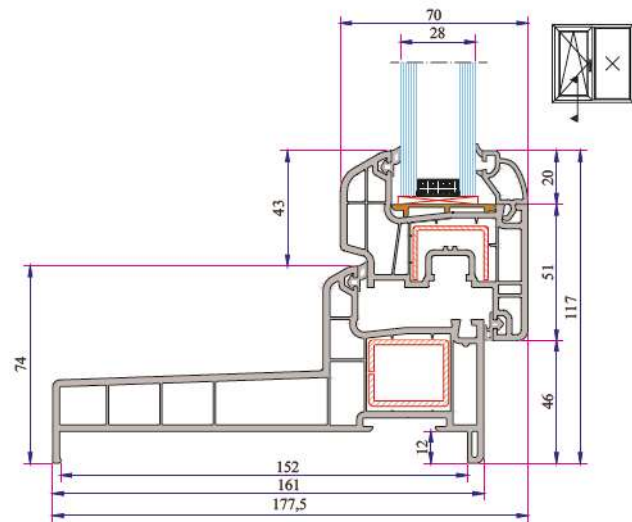
100mm Frame With Sill - Narrow Sash Installation



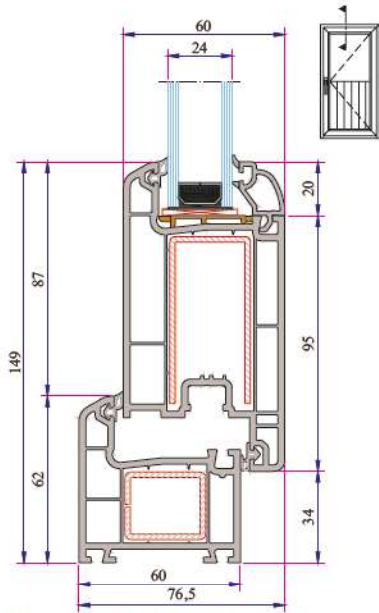
120mm Frame With Sill - Offset Type Sash Installation



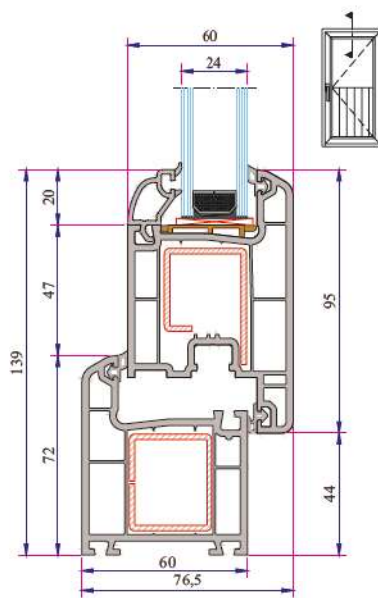
140mm Frame With Sill - Offset Type Sash Installation



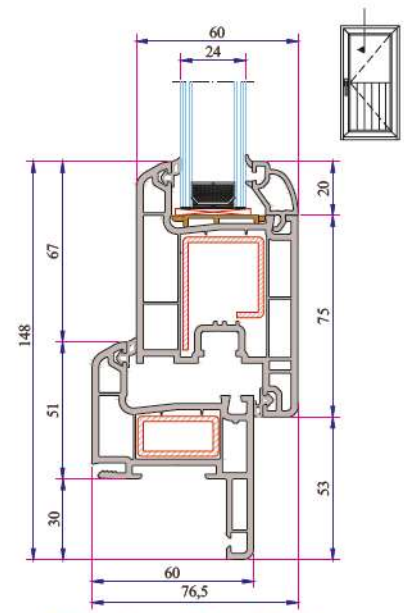
160mm Frame With Sill - Offset Type Sash Installation



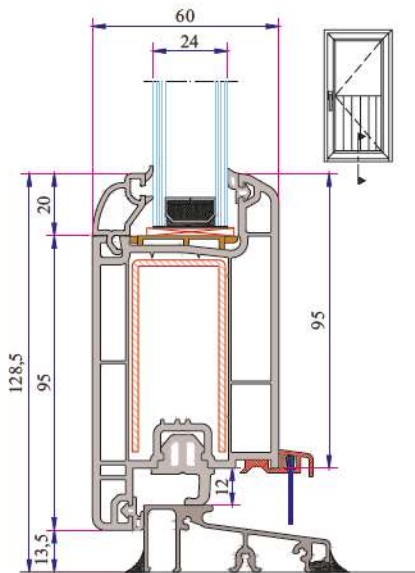
Frame - Door Sash Installation



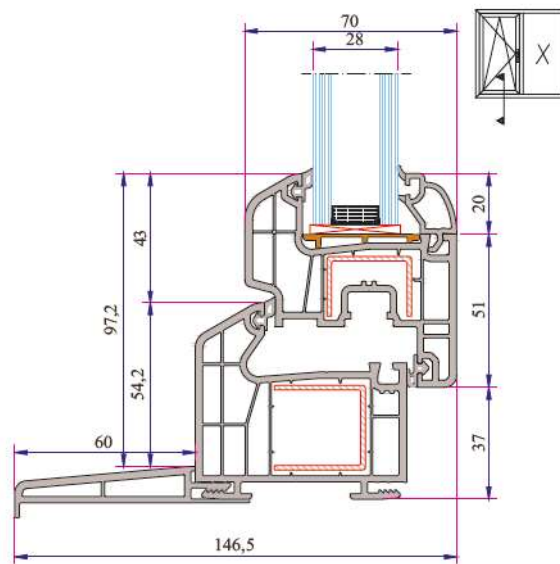
Super Frame - Outward Opening
Door Sash Installation



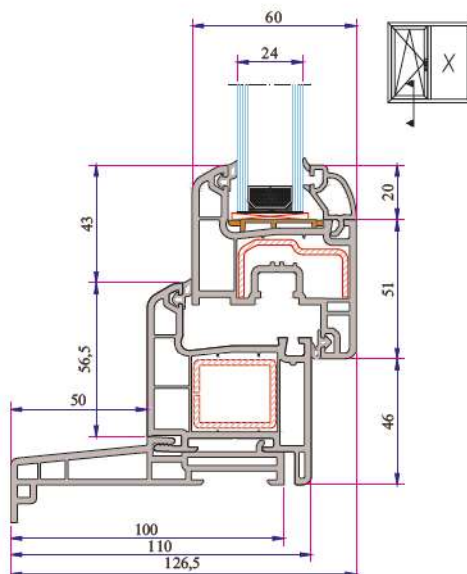
30mm Frame With Sill - Eco
Door Sash Installation



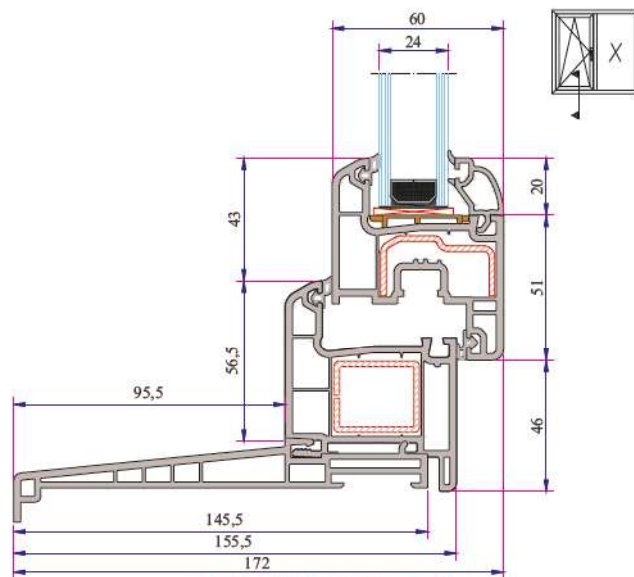
With Aluminium Threshold
Frame Door Sash Installation



Sill Profile (60mm) Installation

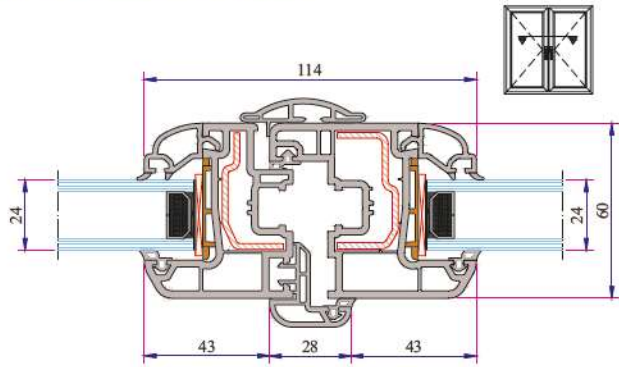


50mm Frame Sill Profile
Installation

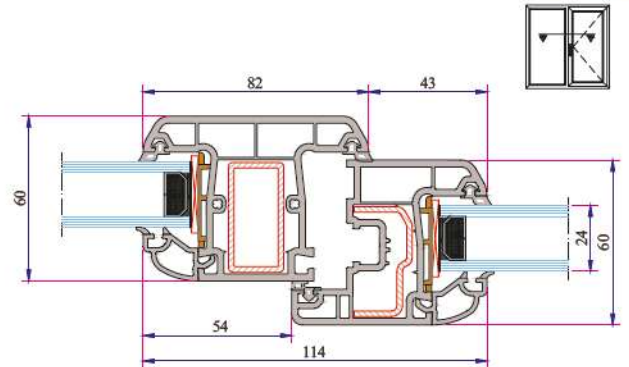


95mm Frame Sill Profile
Installation

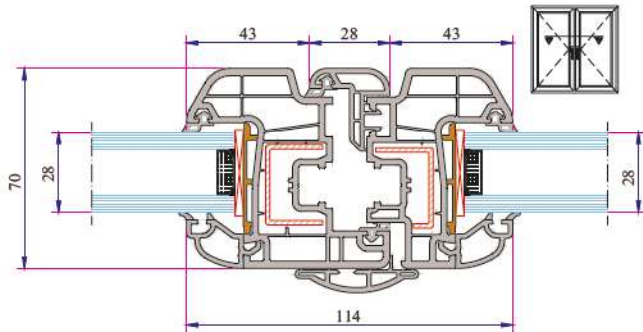
W FR 70 - 60 SERIES PVC PROFILE SYSTEM



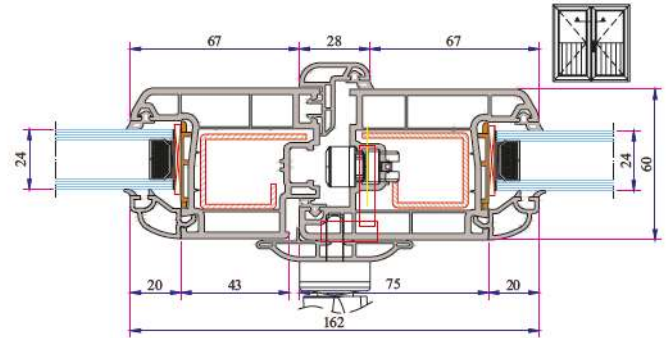
Narrow Sash - Lap Joint -
Narrow Sash Installation



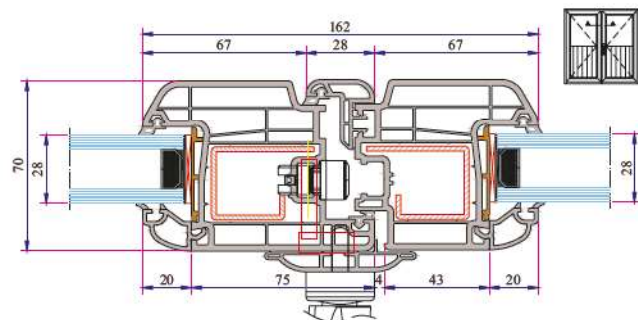
Narrow Sash - Mullion Profile
Installation



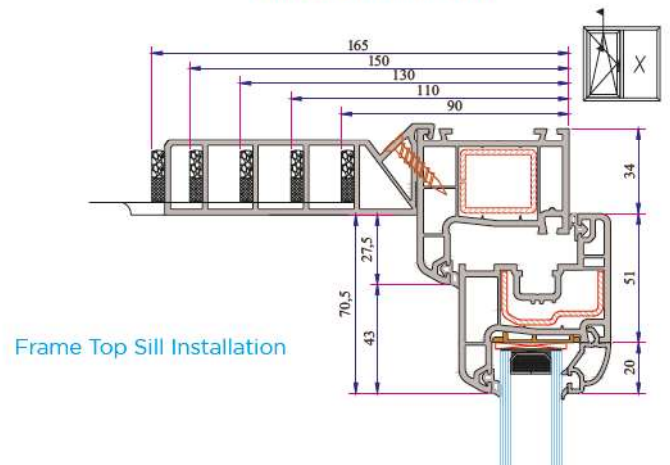
Offset Type Sash - Lap Joint -
Offset Type Sash Installation



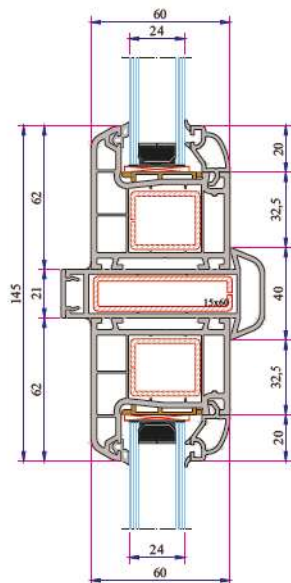
Door Sash - Lap Joint - Half
Door Sash Installation



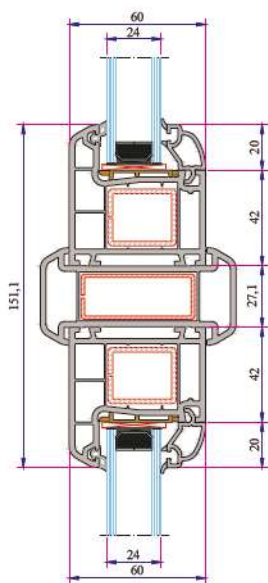
Offset Type Door Sash - Lap Joint -
Offset Type Half Door Sash Installation



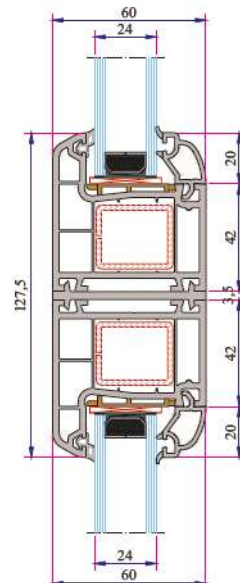
Frame Top Sill Installation



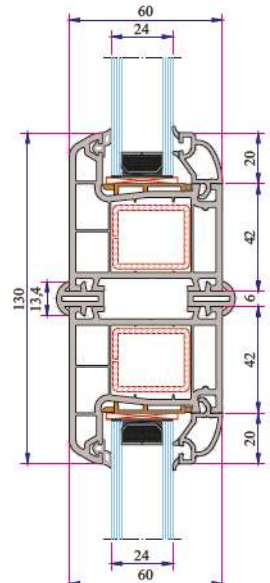
Universal Large Coupling
Profile Installation



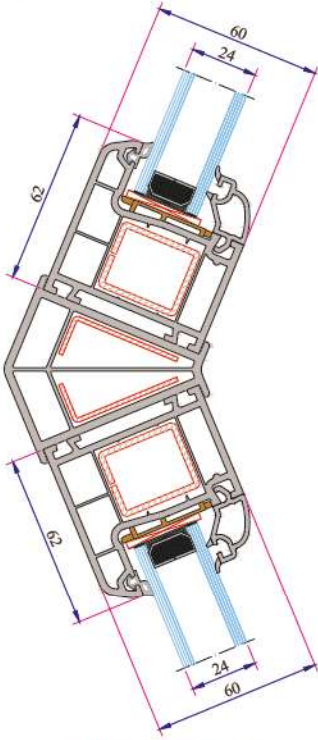
Large Coupling Profile
Installation



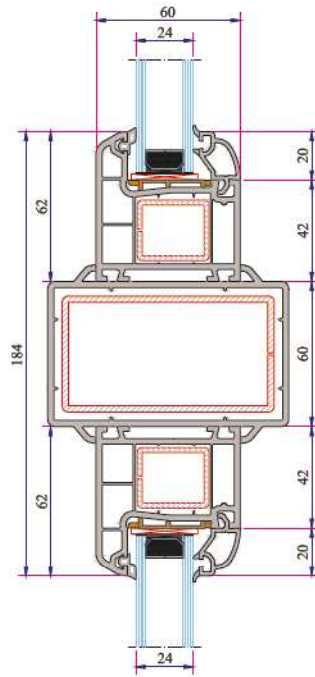
Narrow Coupling Profile
Installation



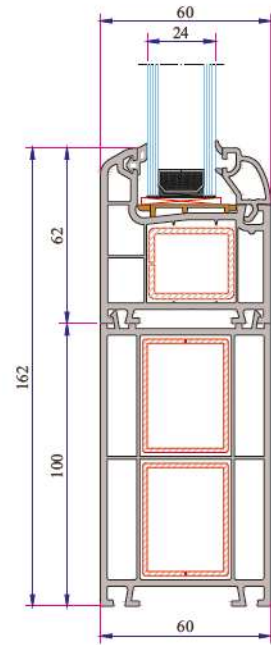
Short Coupling Profile
Installation



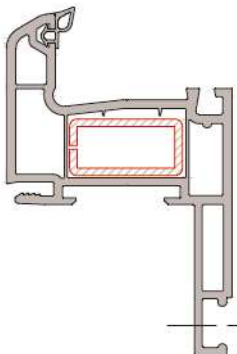
135° Corner Profile Installation



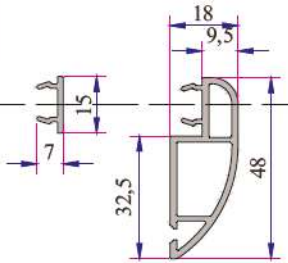
Box Profile Installation



100mm Frame Lifting Profile Installation

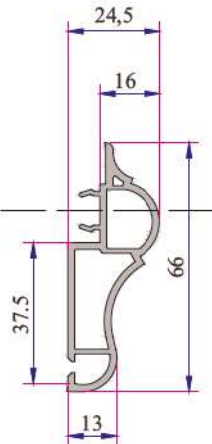


WF - HA - DR 4070

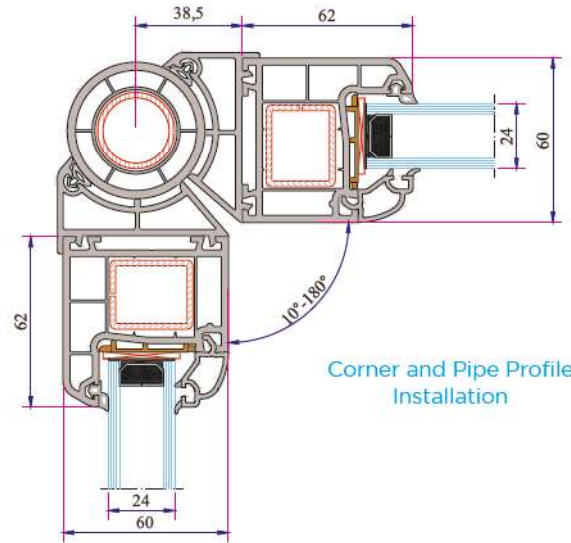


WF-HA-CACHE7

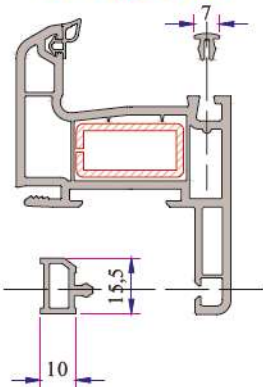
WF - HA - CLAP \ 48



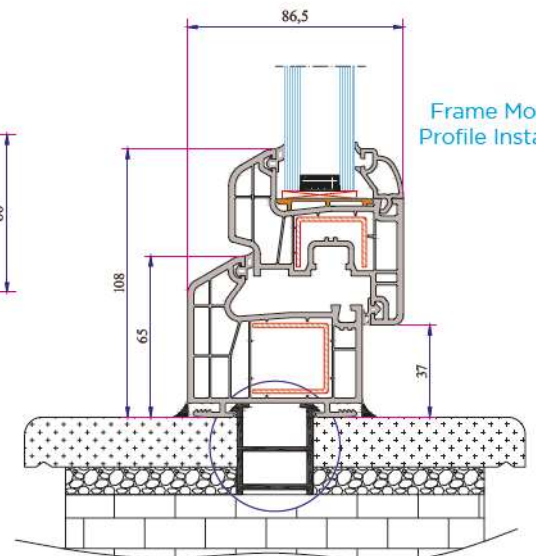
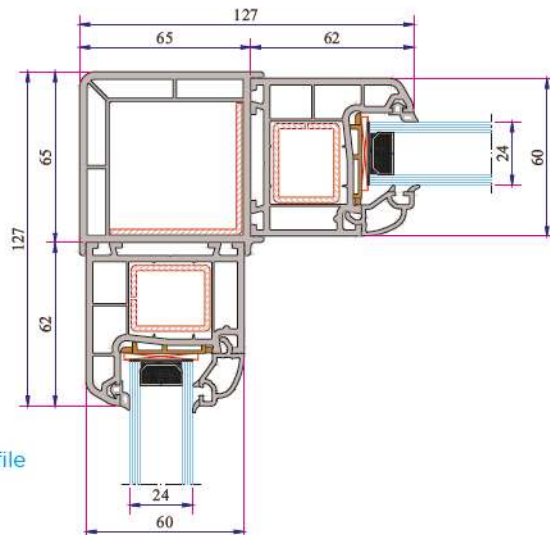
WF - HA - CLAP \ 66



Corner and Pipe Profile Installation



90° Corner Profile Installation



Frame Montage Profile Installation





www.ado.com.tr

FACTORY

Antalya Organize Sanayi Bölgesi 2.Kısım Mah. 21.Cadde No:3

07040 Döşemealtı / ANTALYA / TURKEY

Tel : +90 242 236 20 00 · Faks : +90 242 236 20 90 · Email : info@ado.com.tr

