

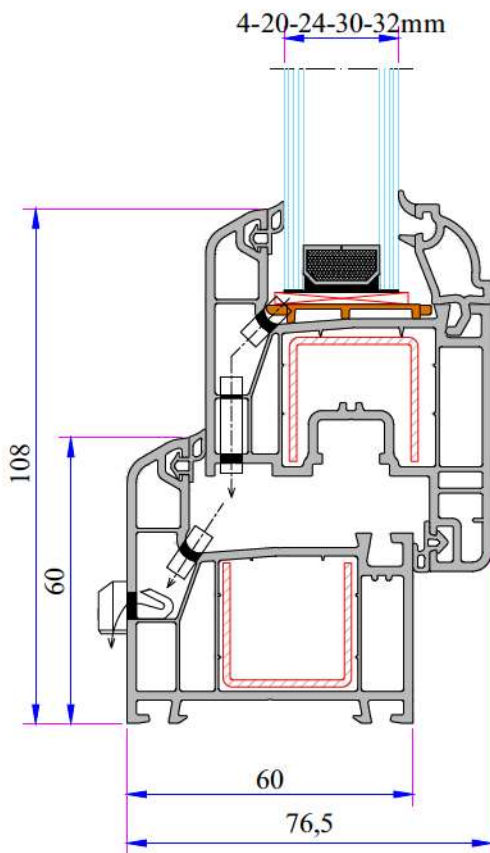
W 634 SERIES



ADO

**PVC PROFILE
TECHNICAL SPECIFICATION**





TECHNICAL

W 634 SERIES

Profile Width: 60 mm

Number of chambers: 4

Profile Class: C Class

Seal Type: External / Internal double seal system

Seal Type and Color: TPE - Grey /Black

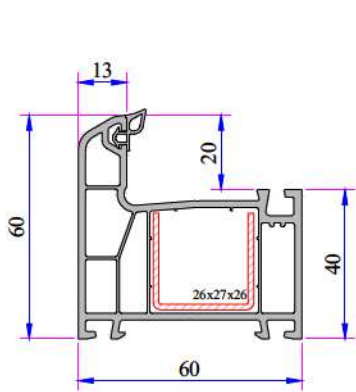
Glass Thickness (mm): 4, 20, 24, 30, 32 mm

The thermal insulation Uf: 1,50 W/m²K

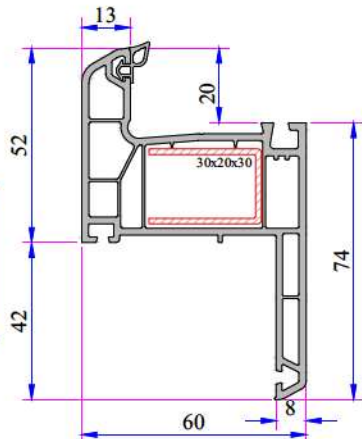
INSTRUCTION

- The main profiles have 60 mm width.
- Because of the elastic grey and black seal which does not leave any stain on profiles will be provided maximum air, water, dust and sound isolation.
- Due to the 4 chambers profiles, it has maximum performance for thermal, sound and water isolation.
- Excluding normal sash profile there is also chance to have a choice for offset type sash profile.
- In addition to white profile a different laminated color range is available.
- 4-6 mm single glazing application of 20, 24, 30, 32 mm glazing beads give us alternatives of using double, triple glazing and panels.

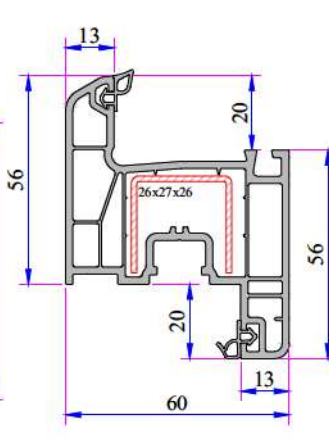
**W 634 SERIES
PVC PROFILE SYSTEM**



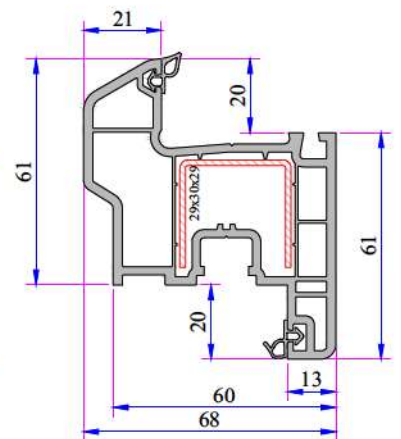
Frame Profile
634.1000



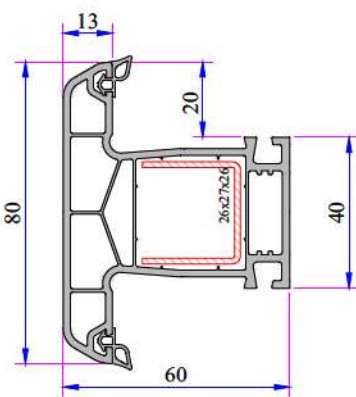
Dec. Sill Profile 42mm
634.1200
634.1200.PC (with Double Seal)



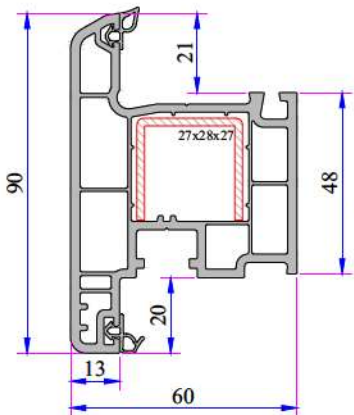
Sash Profile
634.2000



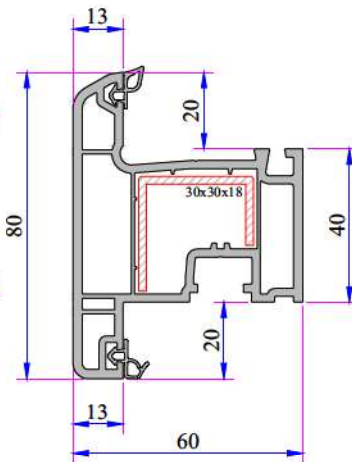
Offset Type Sash Profile
632.2200



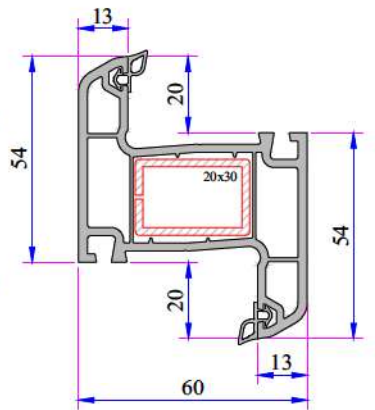
Mullion Profile
634.3000



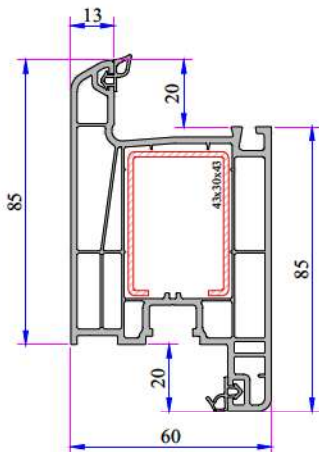
9 Axis Outward Opening Sash Profile
430.2001



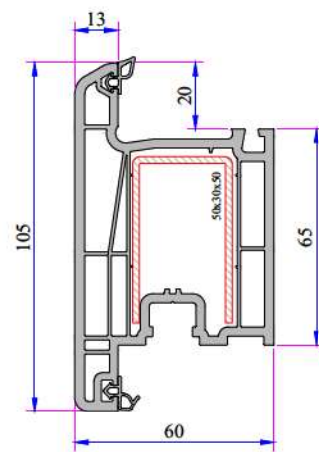
22 Axis Outward Opening Sash Profile
632.2014



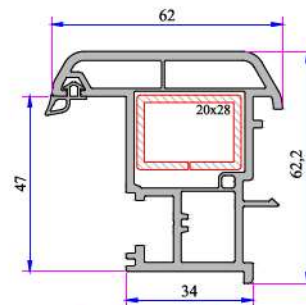
Outward Opening Mullion Profile
632.3005



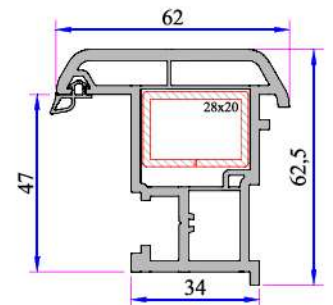
Door Sash Profile
634.2100



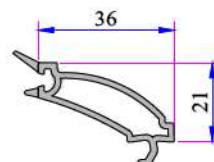
Outward Opening Door Sash Profile
642.2101



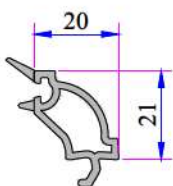
Lap Joint Profile
632.3104



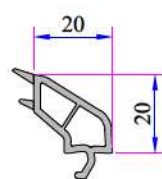
Lap Joint Profile
632.3100



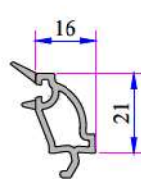
4 mm Glazing Bead
101.4002



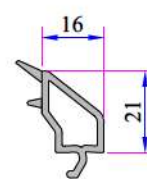
20mm Decorative Glazing Bead
101.4102



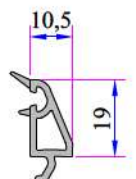
20mm Glazing Bead
101.4100



24mm Decorative Glazing Bead
101.4202

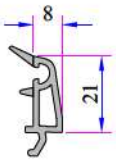


24mm Decorative Glazing Bead
750.4500

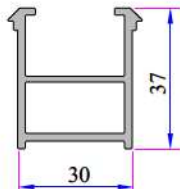


30mm Decorative Glazing Bead
332.4100

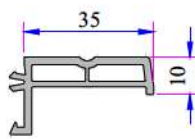
W 634 SERIES PVC PROFILE SYSTEM



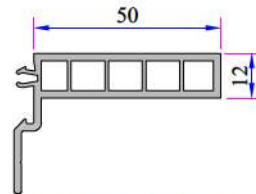
32mm Glazing Bead
101.4500



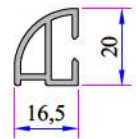
Frame Montage Profile
060.5301



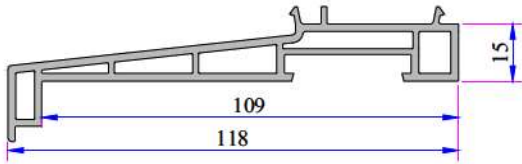
Sill Profile (35mm)
099.5523



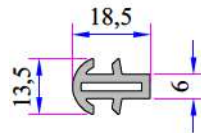
Sill Profile (50mm)
099.5524



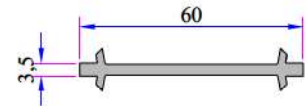
Offset Profile
900.6307



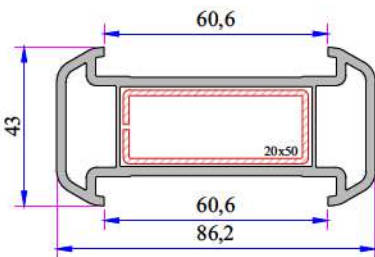
Sill Profile
058.5504



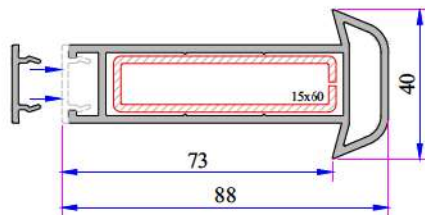
Short Coupling Profile
099.5003



Narrow Coupling Profile
060.5001



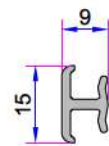
Large Coupling Profile
060.5000



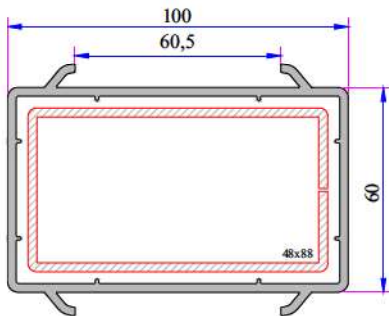
Universal Large Coupling Profile
058.5000



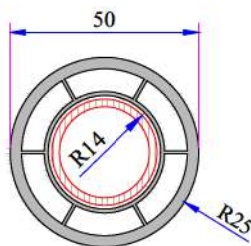
Universal Large
Coupling Profile
058.5707



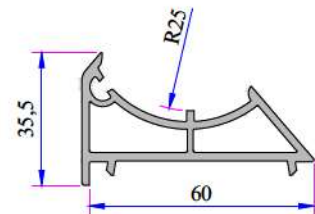
Universal Short Coupling
Profile
099.5004



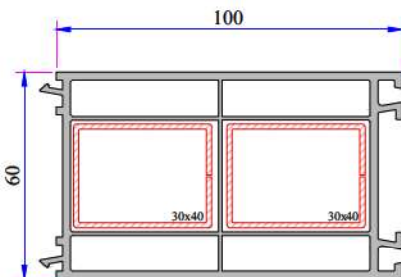
60x100 Spiked Box Profile
060.5203



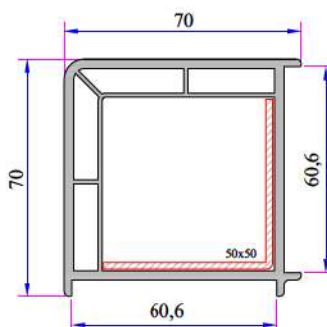
Pipe Profile
050.5106



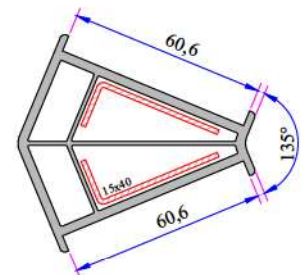
Angle Pipe Adaptor
Profile
060.5104



60x100 Frame Lifting Profile
900.5303

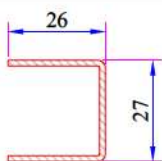


90° Corner Profile
060.5100

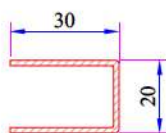


135° Corner Profile
060.5102

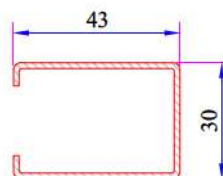
W 634 Re-Inforcement Profiles



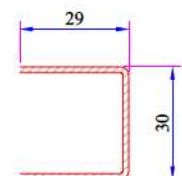
Frame, Sash, Mullion Profile
Reinforcement
34022-12046



Frame With Sill Profile
Reinforcement
34022-12006

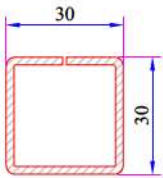


Door Sash Profile
Reinforcement
34022-12023

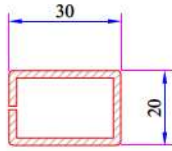


Offset Type Sash Profile
Reinforcement
34022-12002

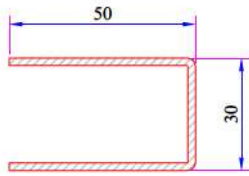
W 634 SERIES PVC PROFILE SYSTEM



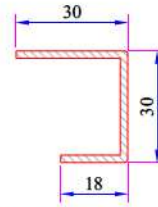
Frame - Mullion Static
Reinforcement
34022-15129



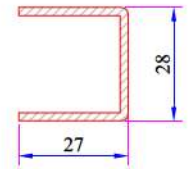
Outward Opening Mullion
Profile Reinforcement
34022-12109



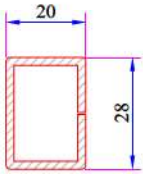
Door Sash - Outward
Opening Door Sash
Profile Reinforcement
34022-12013



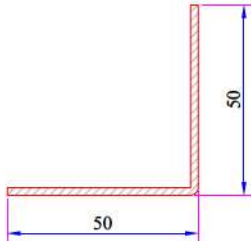
Outward Opening Sash
(9 Axis) Reinforcement
34022-12022



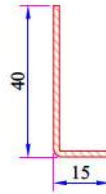
Outward Opening Sash
Profile Reinforcement
34022-12020



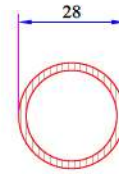
Lap Joint Profile
Reinforcement
34022-12118



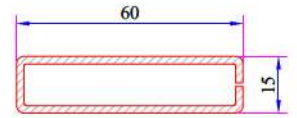
Corner Profile 90°
Reinforcement
34022-12302



Corner Profile 135°
Reinforcement
34022-12301



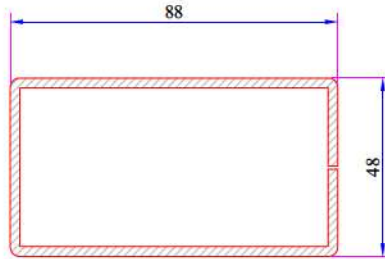
Pipe Profile
Reinforcement
34022-12503



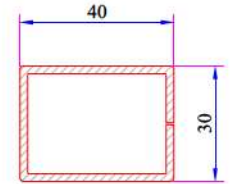
Universal Large Coupling
Profile Reinforcement
34022-12123



Large Coupling Profile
Reinforcement
34022-12105

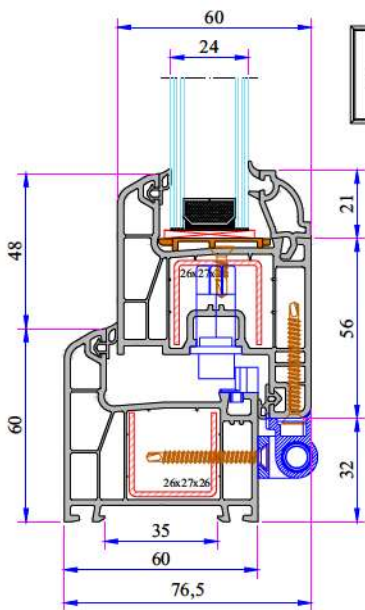


60x100 Spiked Box
Profile Reinforcement
34022-12102

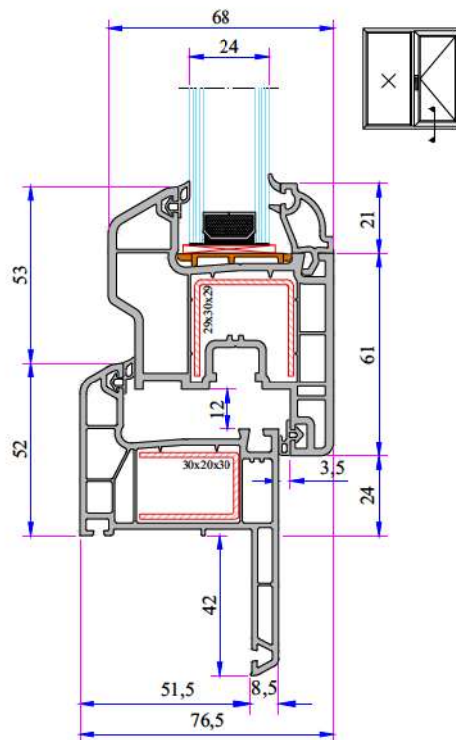


60x100 Frame Lifting
Profile Reinforcement
34022-12120

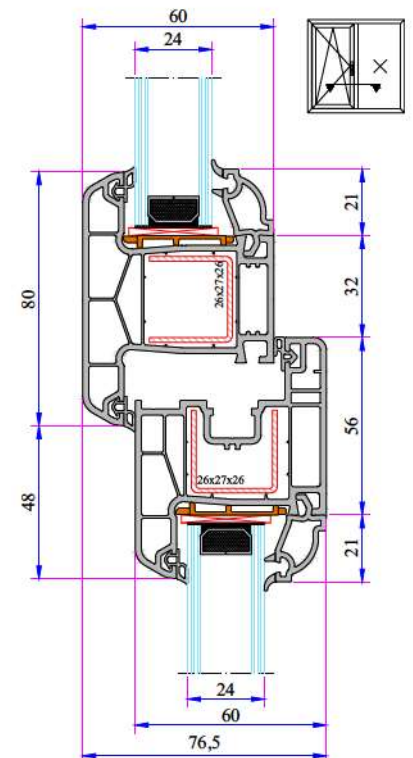
W 634 Installation



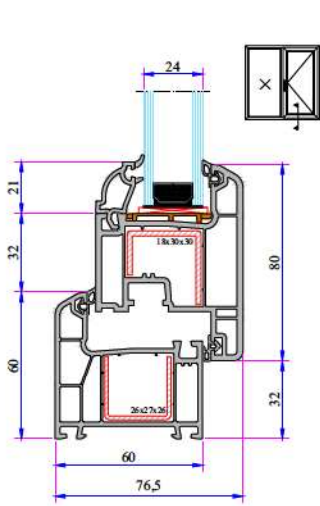
Frame - Sash Installation



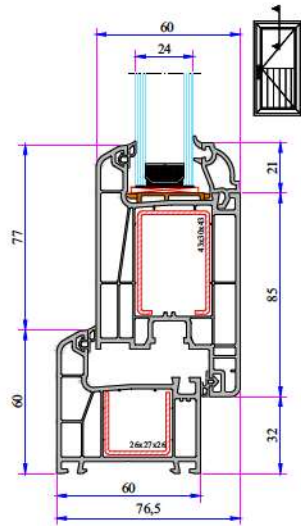
Frame - Offset Type Sash
Installation



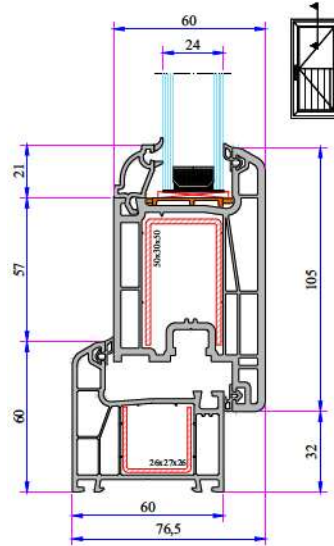
Sash - Mullion Installation



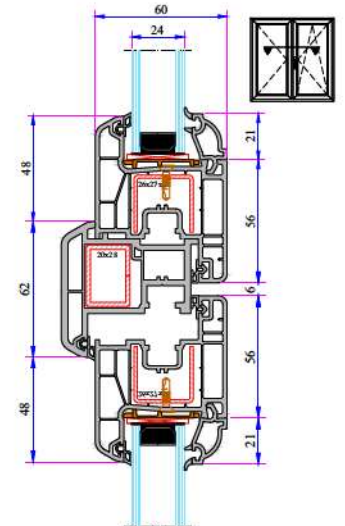
Frame - Outward Opening Sash Installation



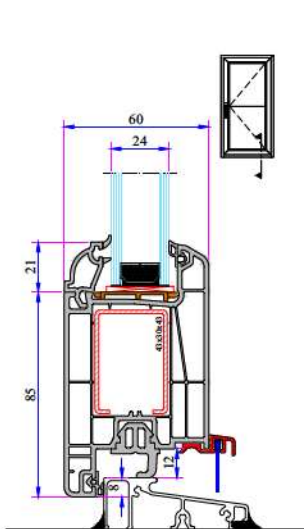
Frame - Door Sash Installation



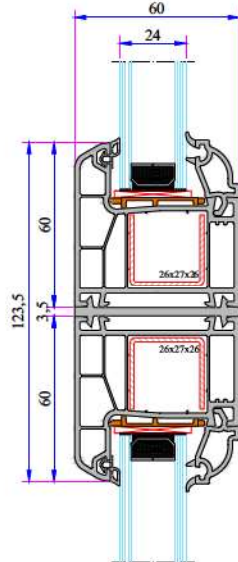
Frame - Outward Opening Door Sash Installation



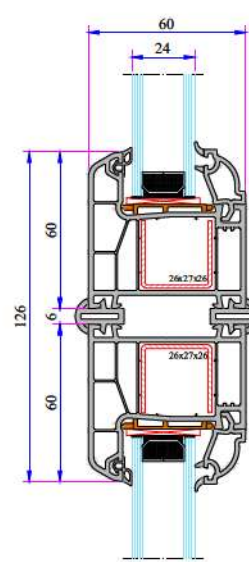
Sash - Lap Joint - Sash Installation



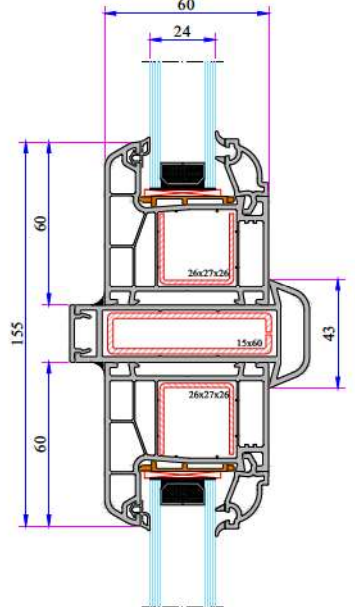
Aluminium Threshold - Door Sash Installation



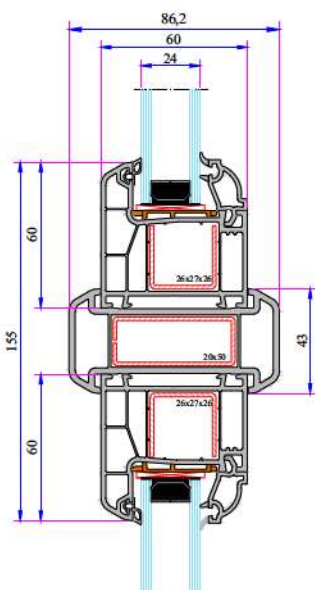
Narrow Coupling Profile Installation



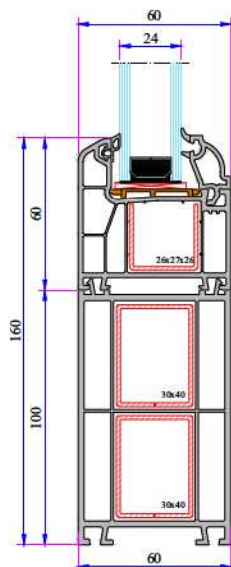
Short Coupling Profile Installation



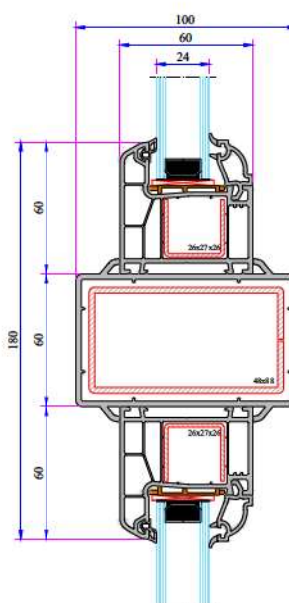
Universal Large Coupling Profile Installation



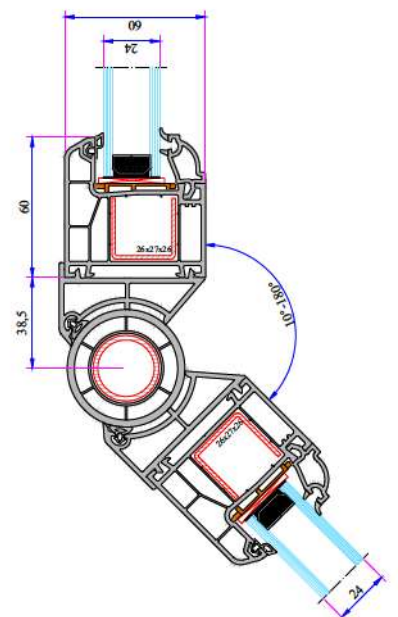
Large Coupling Profile Installation



100mm Frame Lifting Profile Installation

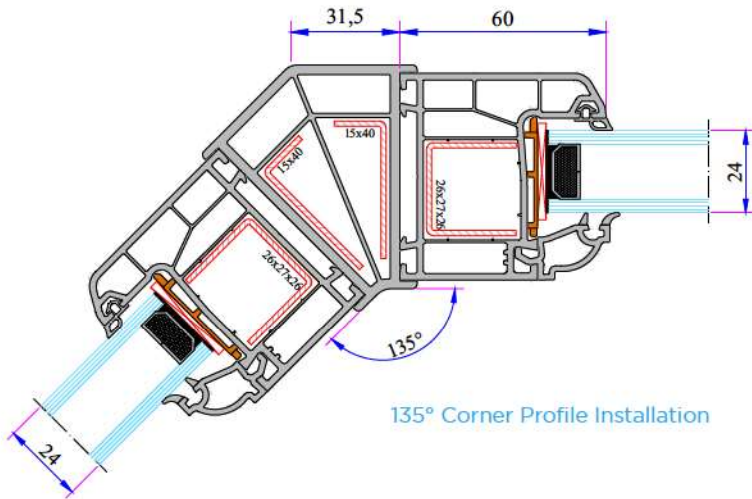


60x100 Spiked Box Profile Installation

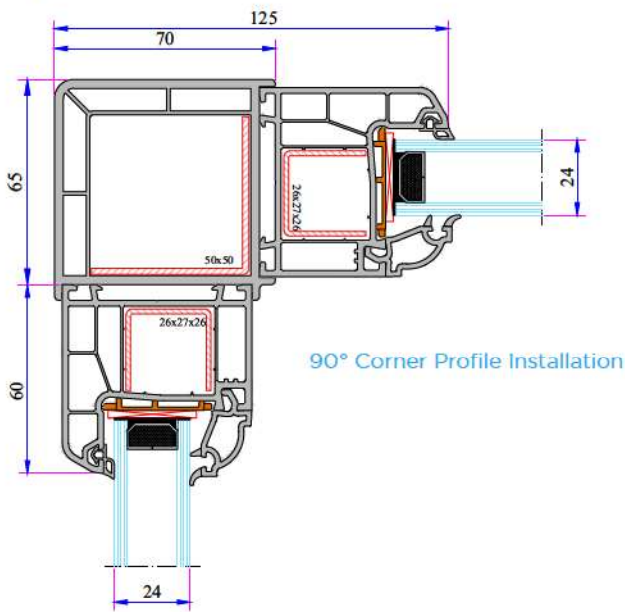


Corner And Pipe Profile Installation

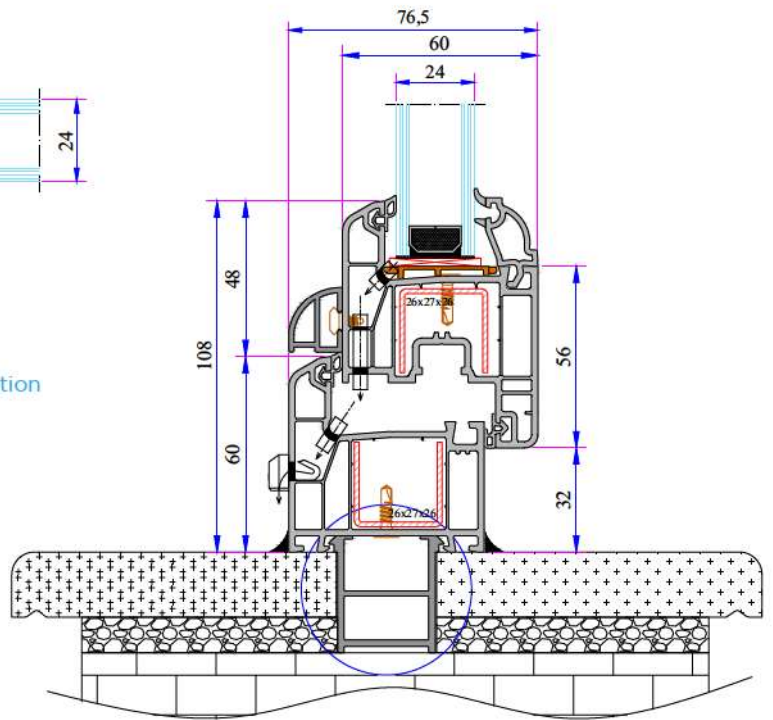
W 634 SERIES PVC PROFILE SYSTEM



135° Corner Profile Installation



90° Corner Profile Installation



Offset Profile and Frame
Montage Profile Installation

LAMINATED COLORS





www.ado.com.tr

FACTORY

Antalya Organize Sanayi Bölgesi 2.Kısım Mah. 21.Cadde No:3

07040 Döşemealtı / ANTALYA / TURKEY

Tel : +90 242 236 20 00 · Faks : +90 242 236 20 90 · Email : info@ado.com.tr

