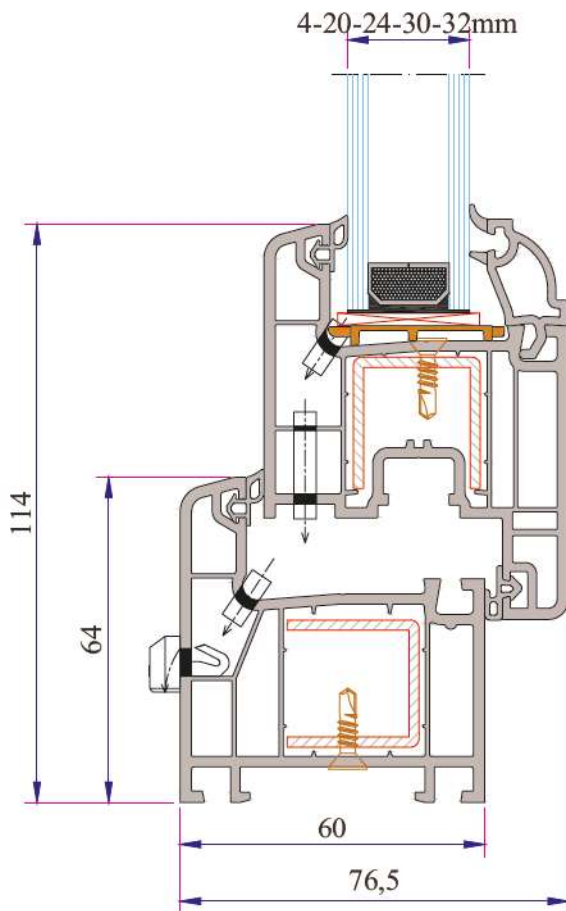


W 624 SERIES

ADO

**PVC PROFILE
TECHNICAL SPECIFICATION**





TECHNICAL

W 624 SERIES

Profile Width: 60 mm

Number of chambers: 4

Profile Class: C Class (TS EN 12608-1)

Seal Type: External / Internal double seal system

Seal Type and Color: TPE - Grey /Black

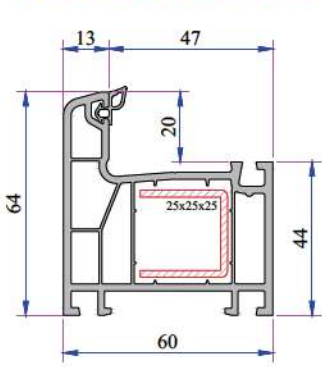
Glass Thickness (mm): 4, 20, 24, 30, 32 mm

The thermal insulation Uf: 1,45 W/m²K

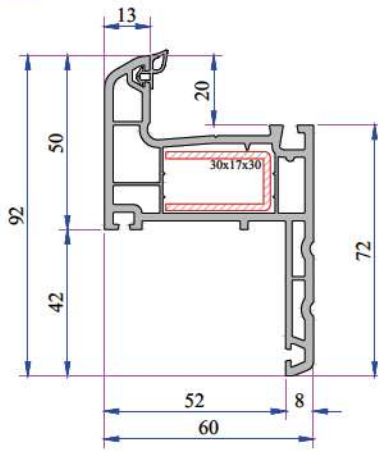
INSTRUCTION

- The main profile has 60 mm width.
- Because of the elastic grey and black seal which does not leave any stain on profiles will be provided maximum air, water, dust and sound isolation.
- Due to the 4 chambers profiles, it has maximum performance for thermal, sound and water isolation.
- It is a series of profiles with very special design that provides maximum wind resistance on high rise buildings.
- Excluding normal sash profile there is also chance to have a choice for offset type sash profile.
- In addition to white profile a different laminated color range is available.
- 4-5 mm single glazing application of 20, 24, 30, 32 mm glazing beads give us alternatives of using double, triple glazing and panels.

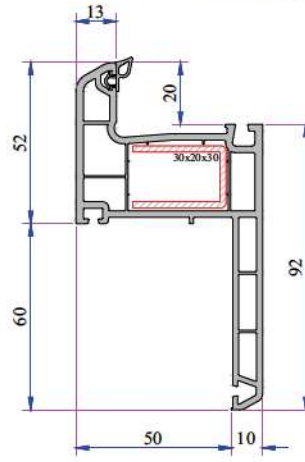
W 624 SERIES PVC PROFILE SYSTEM



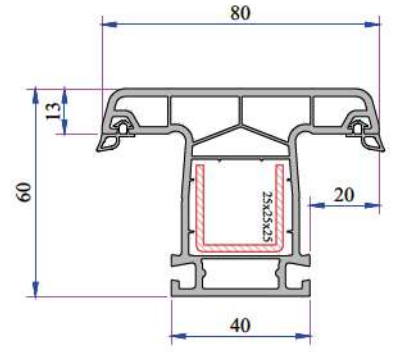
Frame Profile
624.1000



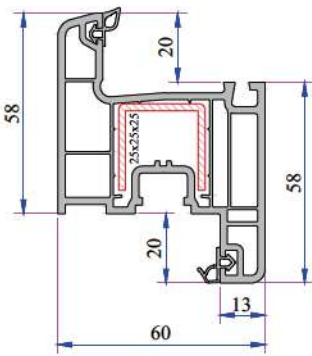
Frame with Dec.Sill
42 mm
632.1200
632.1200.PC (with Double Seal)



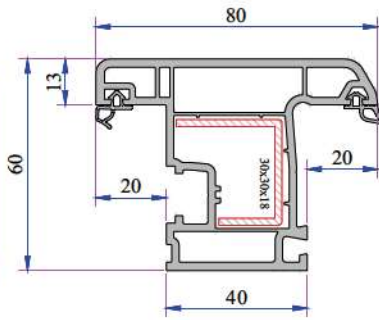
Frame with Flat Sill 60 mm
632.1207
632.1207.PC (with Double Seal)



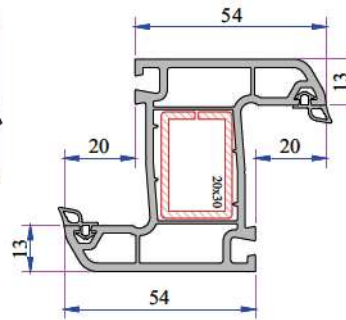
Mullion Profile
624.3000



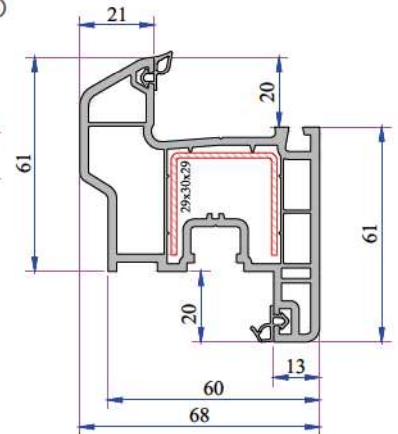
Sash Profile
624.2000



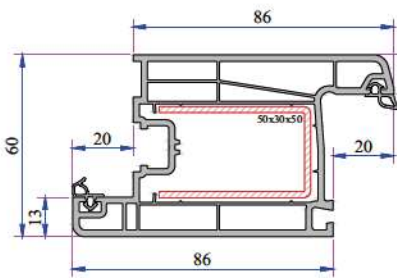
Outward Opening Sash Profile
632.2014



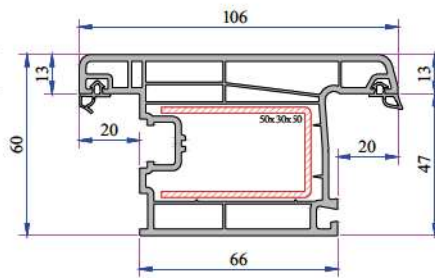
Outward Opening
Mullion Profile
632.3005



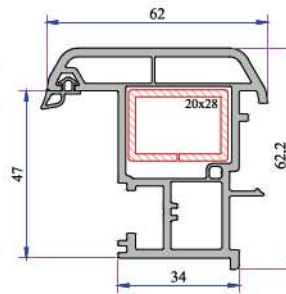
Offset Type Sash Profile
632.2200



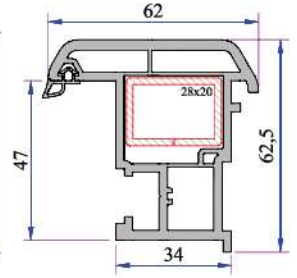
Door Sash Profile
624.2100



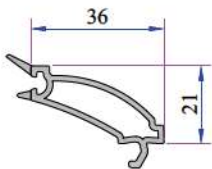
Outward Opening Door Sash Profile
624.2101



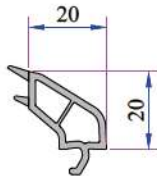
Lap Joint Profile
632.3104



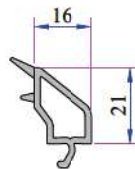
Lap Joint Profile
632.3100



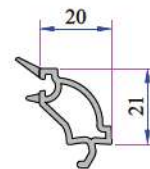
Single Glazing
Bead 4-6 mm
101.4002



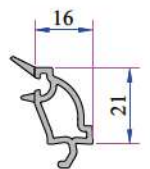
Double Glazing
Bead 20 mm
101.4100



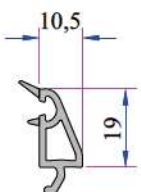
Double Glazing
Bead 24 mm
750.4500



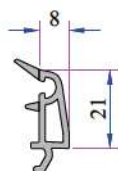
Double Glazing
Bead 20 mm
101.4102



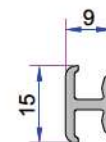
Double Glazing
Bead 24 mm
101.4202



Triple Glazing Bead
30 mm
332.4100

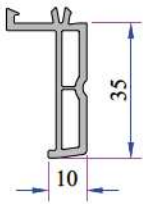


Triple Glazing Bead
32 mm
101.4500

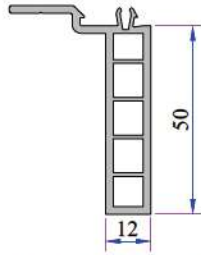


Universal Short Coupling
Profile
099.5004

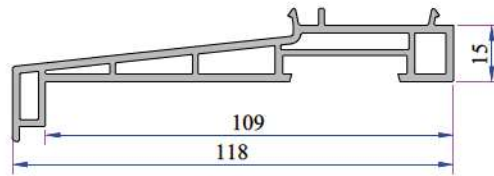
W 624 SERIES PVC PROFILE SYSTEM



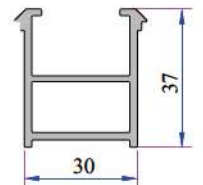
Frame Sill Profile (35mm)
099.5523



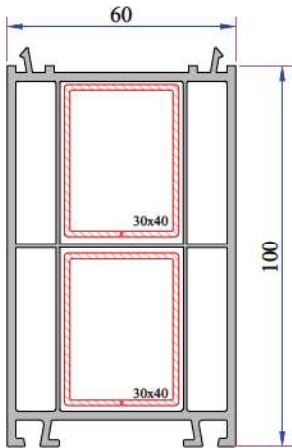
Frame Sill Profile (50mm)
099.5524



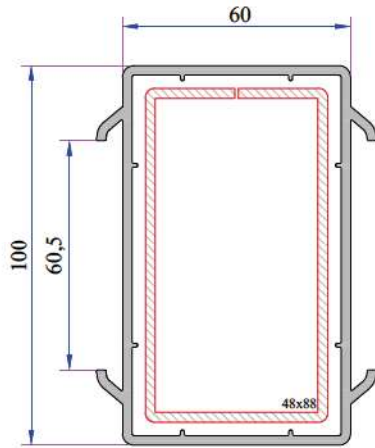
Sill Profile
058.5504



Frame Montage Profile
060.5301



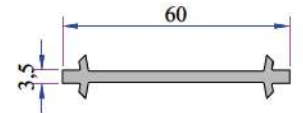
60x100 Frame
Lifting Profile
900.5303



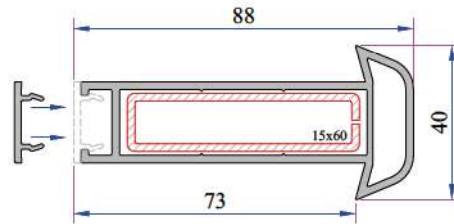
60x100 Spiked Box Profile
060.5203



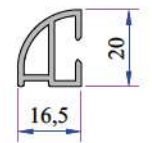
Universal Large Coupling
Cover Profile
058.5707



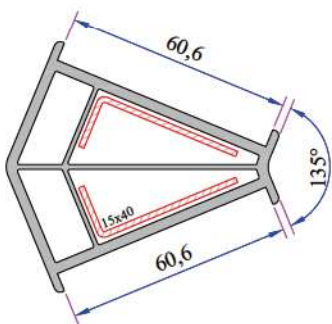
Narrow Coupling Profile
060.5001



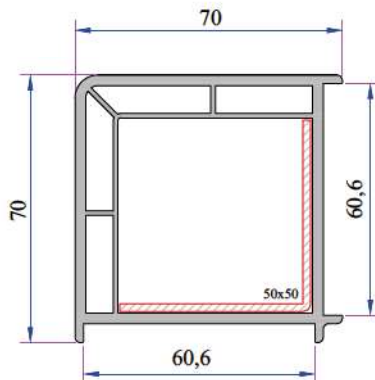
Universal Large Coupling Profile
058.5000



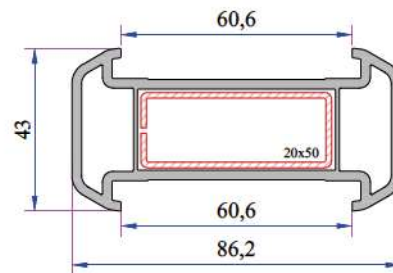
Offset Profile
900.6307



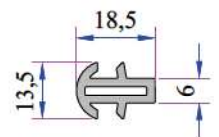
135° Corner Profile
060.5102



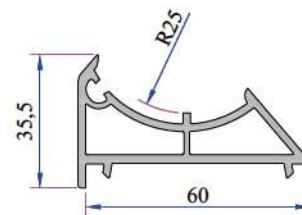
90° Corner Profile
060.5100



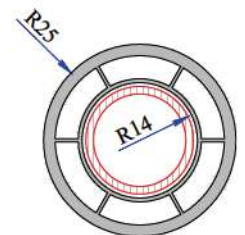
Large Coupling Profile
060.5000



Short Coupling Profile
099.5003

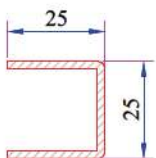


Angle Pipe Adaptor Profile
060.5104

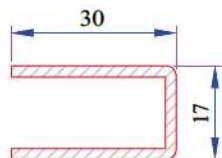


Pipe Profile
050.5106

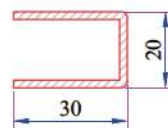
W 624 Re-Inforcement Profiles



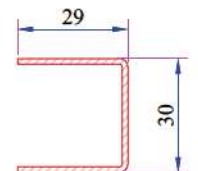
Frame - Mullion - Sash - Profile
Reinforcement
34022-12003



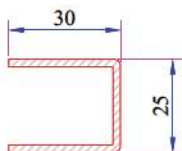
Frame Profile with Sill
Reinforcement
34022-12032



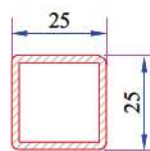
Frame Profile with Sill 60mm
Reinforcement
34022-12006



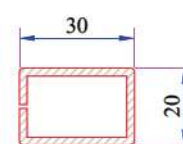
Offset Type Sash Profile
Reinforcement
34022-12002



Mullion Profile
Reinforcement
34022-12004

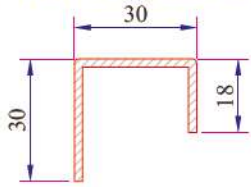


Mullion Profile Static
Reinforcement
34022-12122

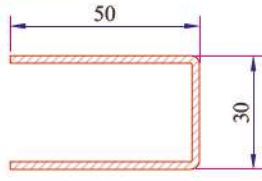


Outward Opening
Mullion Profile
Reinforcement
34022-12109

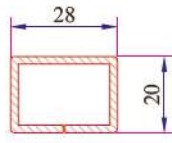
W 624 SERIES PVC PROFILE SYSTEM



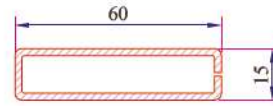
22 Axis. Outward Opening Sash Profile Reinforcement
34022-12022



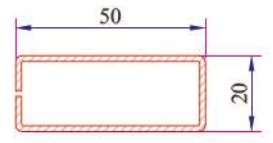
Door Sash - Outward Opening Door Sash Profile Reinforcement
34022-12013



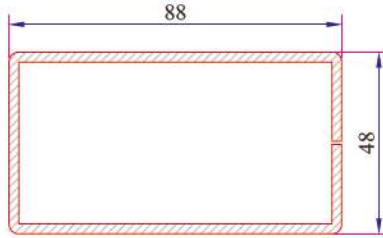
Lap Joint Profile Reinforcement
34022-12118



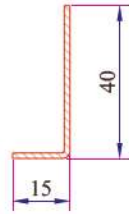
Universal Large Coupling Profile Reinforcement
34022-12123



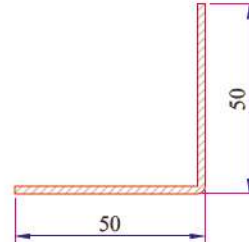
Large Couple Profile Reinforcement
34022-12105



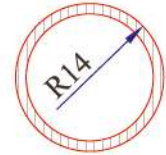
60x100 mm Box Profile Reinforcement
34022-12102



135° Corner Profile Reinforcement
34022-12301



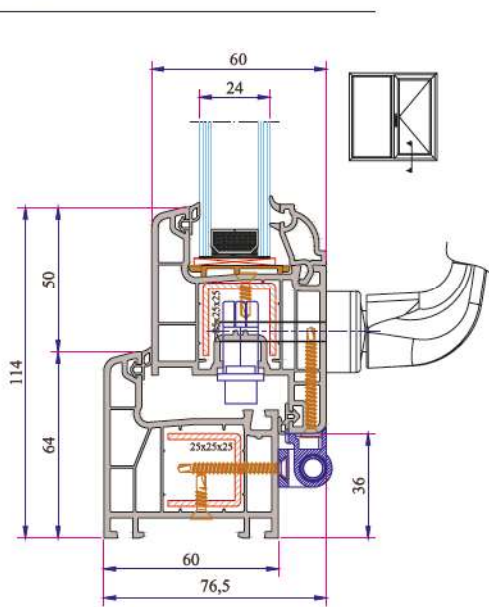
90° Corner Profile Reinforcement
34022-12302



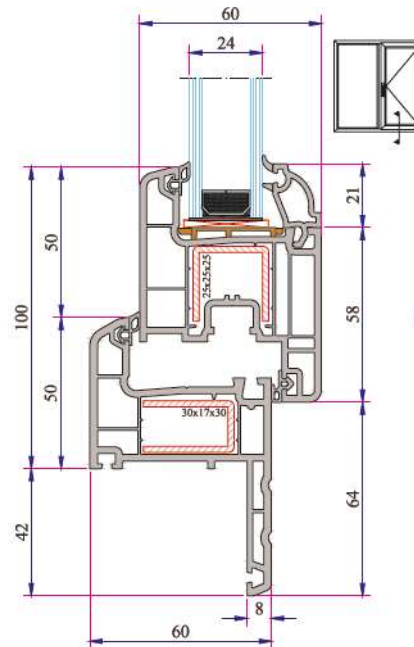
Pipe Profile Reinforcement
34022-12503

W 624 Installation

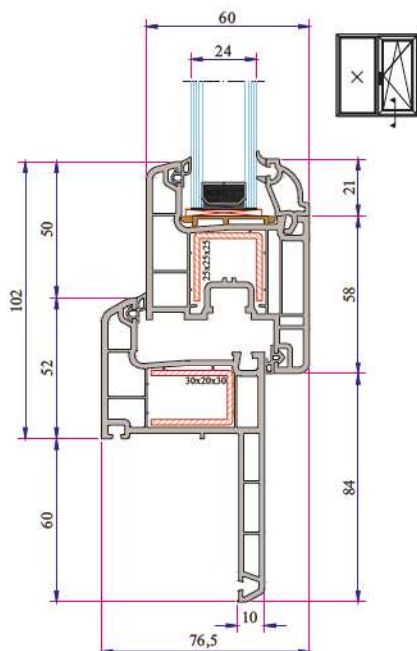
Frame - Sash Installation



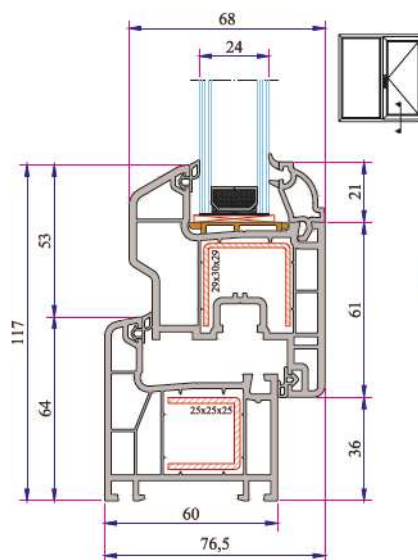
Frame with Sill - Sash Installation

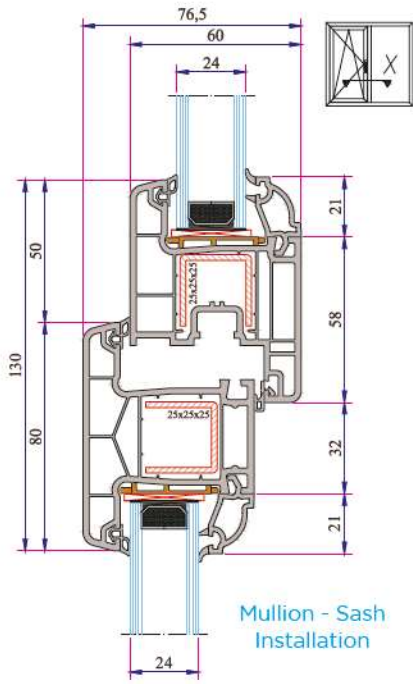


Frame with Sill (60mm) - Sash Installation

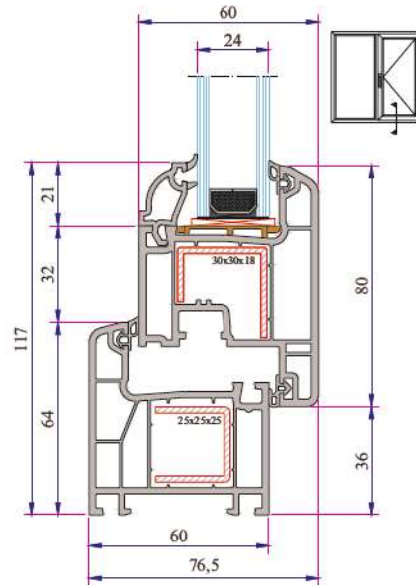


Frame - Offset Type Sash Installation

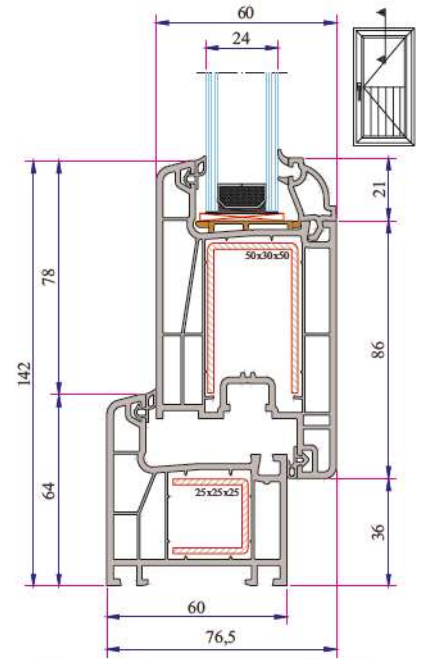




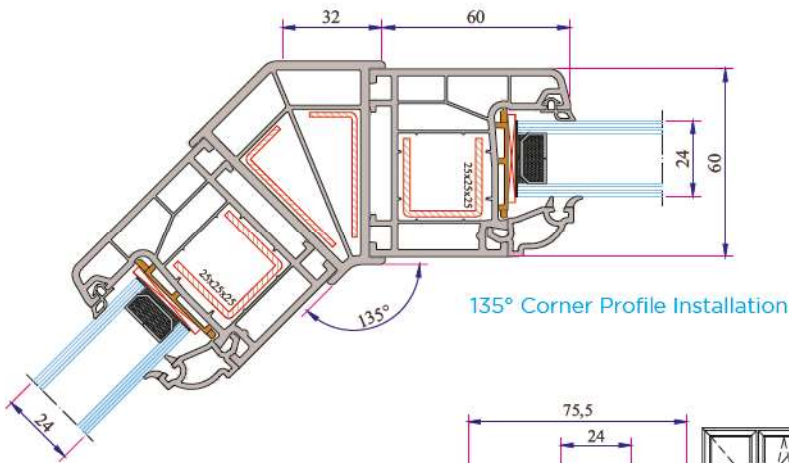
Mullion - Sash Installation



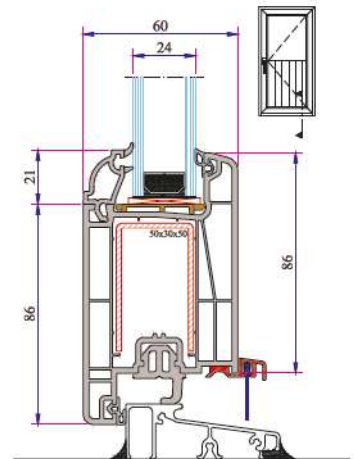
Frame - Outward Opening Sash Installation



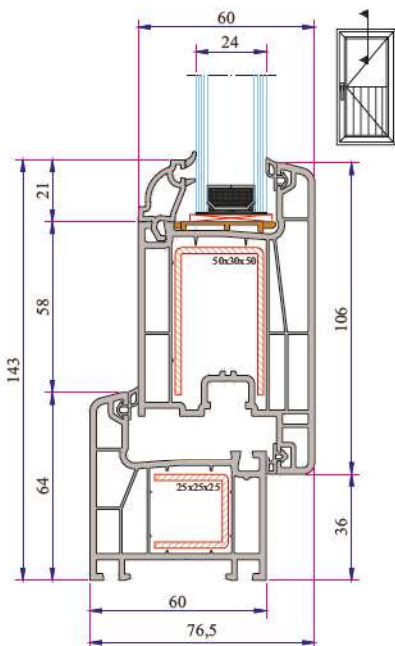
Frame - Door Sash Installation



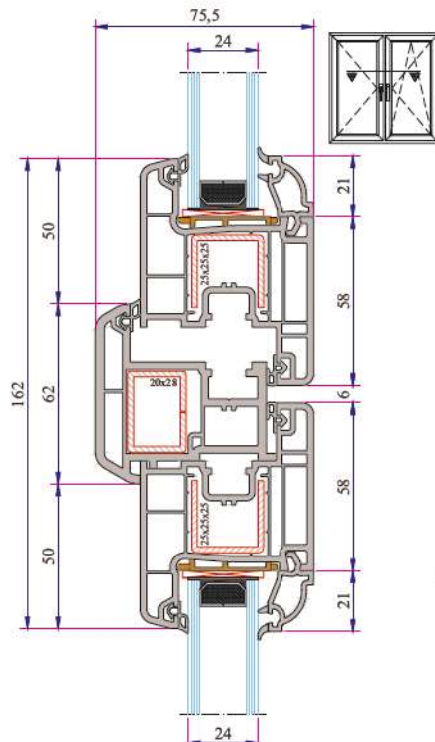
135° Corner Profile Installation



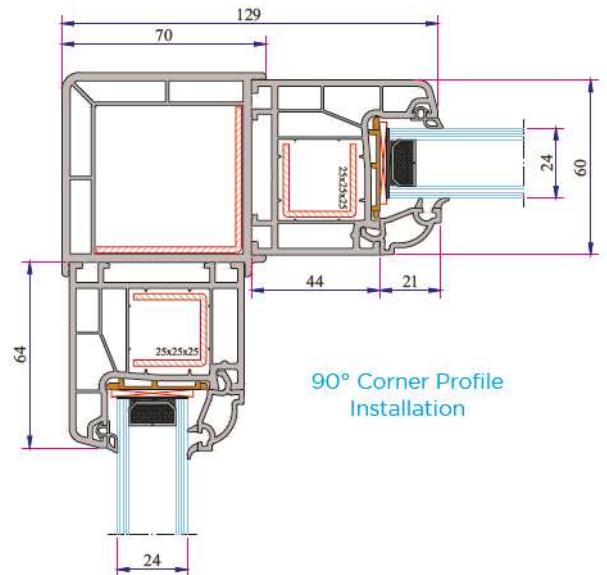
With Aluminium Threshold Frame Door Sash Installation



Frame - Outward Opening Door Sash Profile

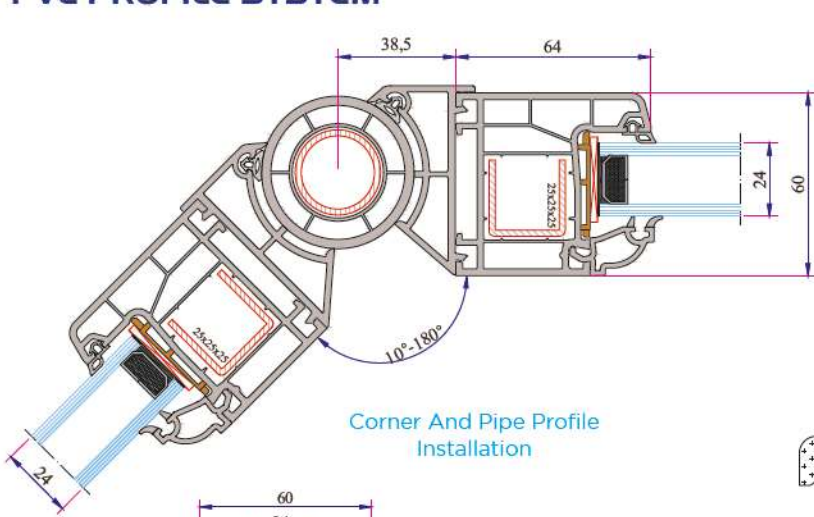


Sash - Lap Joint - Sash Installation

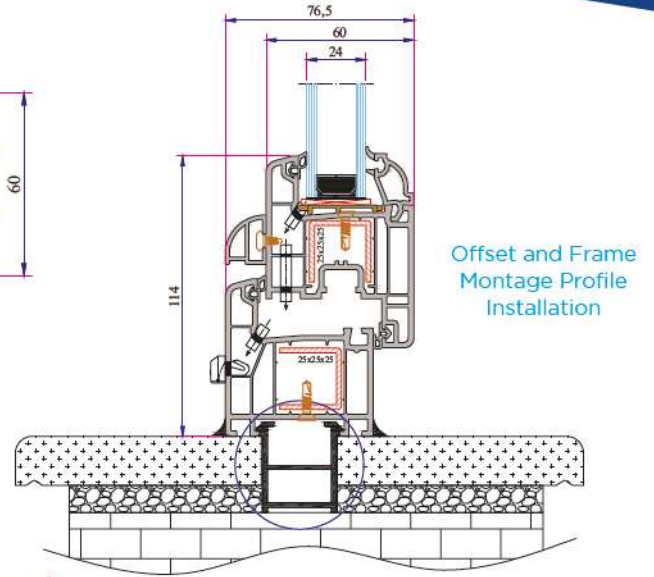


90° Corner Profile Installation

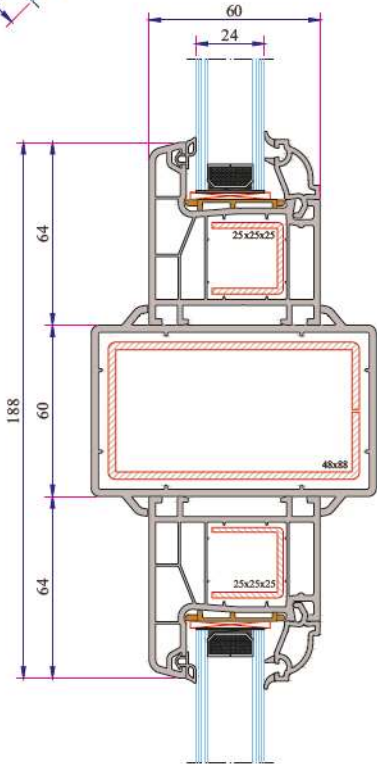
**W 624 SERIES
PVC PROFILE SYSTEM**



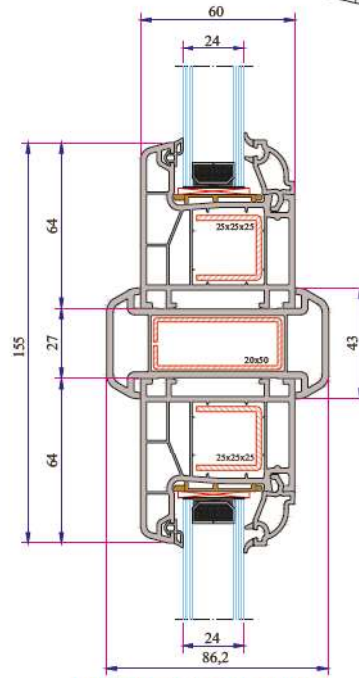
Corner And Pipe Profile Installation



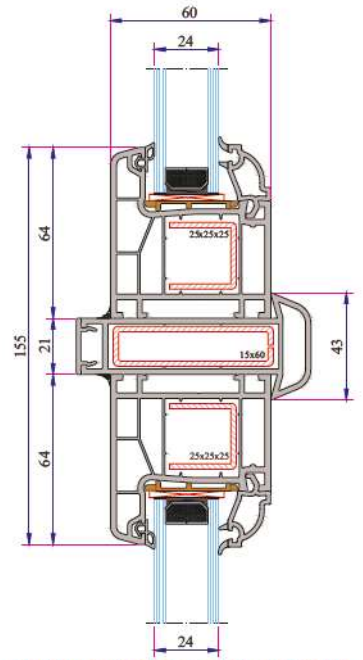
Offset and Frame Montage Profile Installation



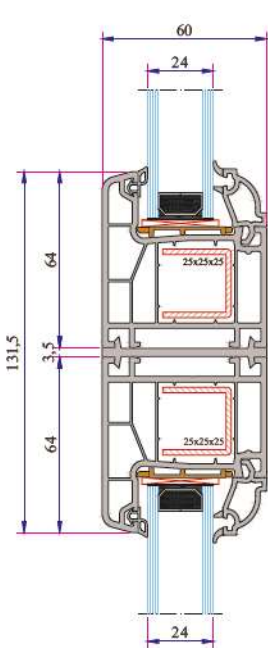
60x100 Box Profile Installation



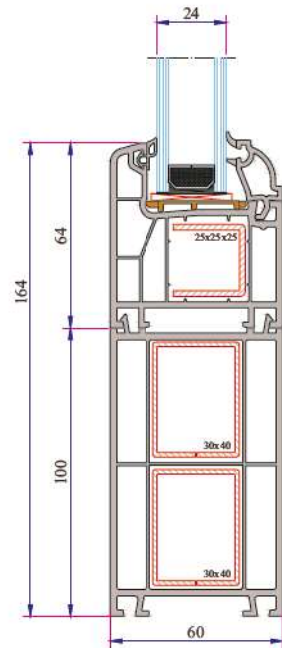
Large Coupling Profile Installation



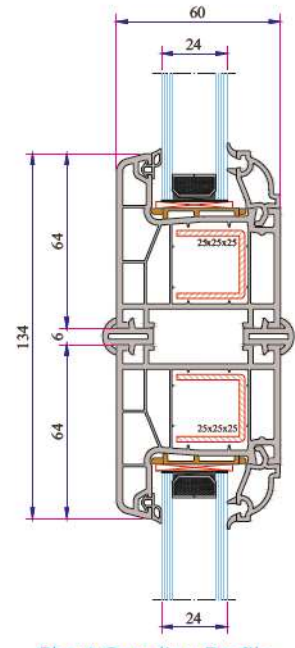
Universal Large Coupling Profile Installation



Narrow Coupling Profile Installation



100mm Frame Lifting Profile Installation



Short Coupling Profile Installation



www.ado.com.tr

FACTORY

Antalya Organize Sanayi Bölgesi 2.Kısım Mah. 21.Cadde No:3

07040 Döşemealtı / ANTALYA / TURKEY

Tel : +90 242 236 20 00 · Faks : +90 242 236 20 90 · Email : info@ado.com.tr

