

ADO

W 777 SERIES
PVC PROFILE SYSTEM

W 777 SERIES PVC PROFILE SYSTEM

TECHNICAL

W 777 SERIES

Profile Width: 70 mm

Number of chambers: 5

Profile Class: A Class (TS EN 12608-1)

Seal Type: External / Internal triple seal system

Seal Type and Color: TPE - Grey /Black

Glass Thickness (mm): 4, 20, 24, 28, 32, 40, 42 mm

The thermal insulation Uf: 1,22 W/m²K

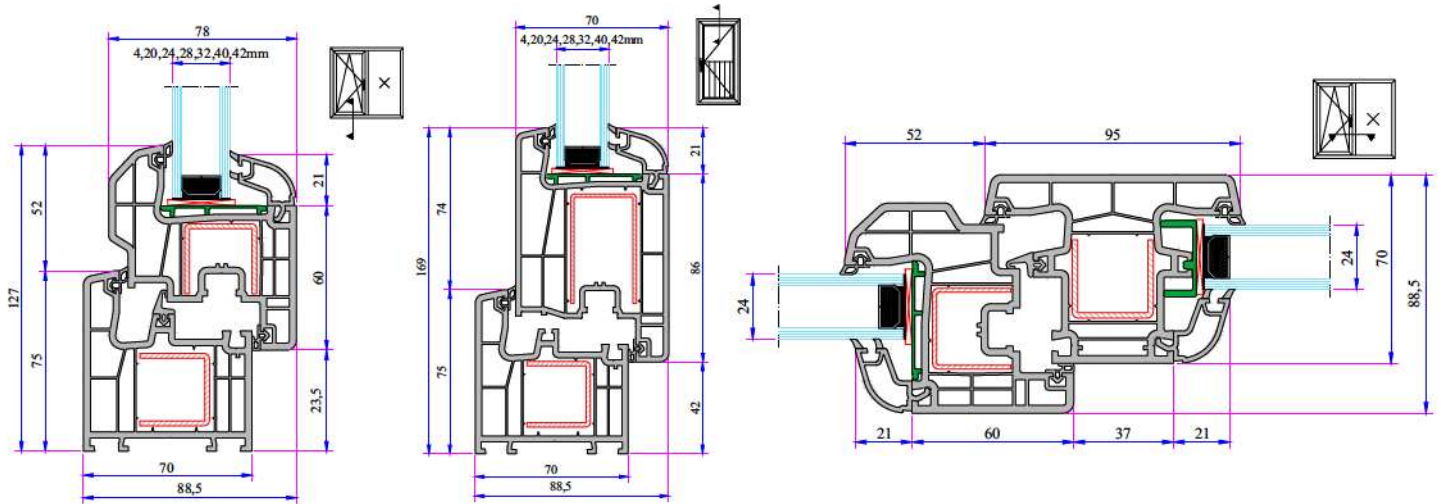
INSTRUCTION

- The main profiles have 70 mm width.
- Because of the elastic grey and black seal which does not leave any stain on profiles will be provided maximum air, water, dust and sound isolation.
- Due to the 5 chambers profiles, it has maximum performance for thermal, sound and water isolation.
- It is a series of profiles with very special design that provides maximum wind resistance on high rise buildings.
- In addition to white profile a different laminated color range is available.
- 4-5 mm single glazing application of 20, 24, 28, 32, 40, 42 mm glazing beads give us alternatives of using double, triple glazing and panels.



- 1 Frame 5 chambers system.
- 2 Offset and flat sash option
- 3 Double and triple glass option.

INSTALLATION



COLOR OPTIONS

 DARK BLACK ST 520	 DARK BLACK AS 520	 SWAMP OAK ST 503	 SAND GREY AS 509	 SAND GREY ST 509	 MAHOGANY ST 504	 P. DARK OAK ST 541	 P. GOLDEN OAK ST 540	 NATURAL OAK HR 570
 ANTRASIT GREY ST 508	 ANTRASIT GREY AS 508	 ANTRASIT GREY ST 516	 GREY ST 507	 SILVER SB 518	 SILVER TEAK SB 513	 WHITE ST 517	 LAKE BLUE ST 522 for Penwood	 MOSS GREEN ST 521 for Penwood

FACTORY

Antalya Organize Sanayi Bölgesi 2. Kısım Mah. 21. Cadde No:3 07040 Döşemealtı /ANTALYA / TURKEY
Tel: +90 242 236 20 00 · Faks: +90 242 236 20 90 · E-mail: info@ado.com.tr · W: www.ado.com.tr