

ADO

**W 760 SERIES
PVC PROFILE SYSTEM**

W 760 SERIES PVC PROFILE SYSTEM

TECHNICAL

W 760 SERIES

Profile Width: 70 mm

Number of chambers: 5

Profile Class: B Class (TS EN 12608-1)

Seal Type: External / Internal double seal system

Seal Type and Color: TPE - Grey /Black

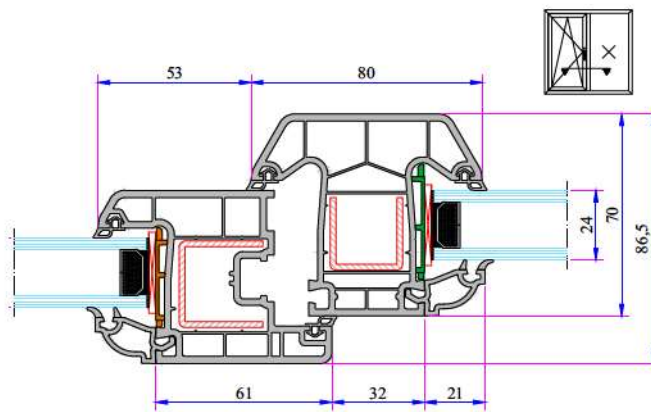
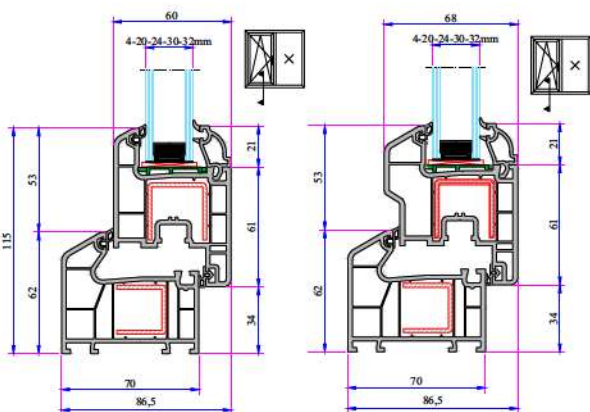
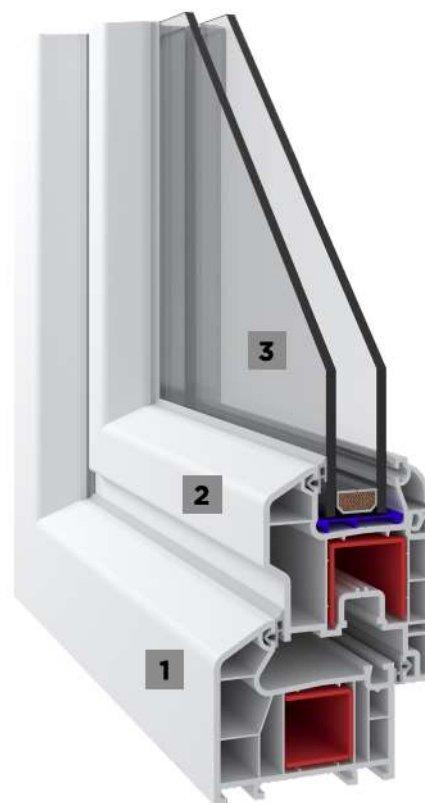
Glass Thickness (mm): 4, 20, 24, 30, 32 mm

The thermal insulation Uf: 1,45 W/m²K

INSTRUCTION

- The main profiles have 70 mm width.
- Because of the elastic grey and black seal which does not leave any stain on profiles will be provided maximum air, water, dust and sound isolation.
- Due to the 5 chambers profiles, it has maximum performance for thermal, sound and water isolation.
- It is a series of profiles with very special design that provides maximum wind resistance on high rise buildings.
- In addition to white profile a different laminated color range is available.
- 4-5 mm single glazing application of 4, 20, 24, 30, 32 mm glazing beads give us alternatives of using double, triple glazing and panels.

INSTALLATION



COLOR OPTIONS



FACTORY

Antalya Organize Sanayi Bölgesi 2. Kısım Mah. 21. Cadde No:3 07040 Döşemealtı /ANTALYA / TURKEY
Tel: +90 242 236 20 00 · Faks: +90 242 236 20 90 · E-mail: info@ado.com.tr · W: www.ado.com.tr