



ADO

W 632 SERIES
PVC PROFILE SYSTEM

W 632 SERIES PVC PROFILE SYSTEM

TECHNICAL

W 632 SERIES

Profile Width: 60 mm

Number of chambers: 3

Profile Class: B Class (TS EN 12608-1)

Seal Type: External / Internal double seal system

Seal Type and Color: TPE - Grey /Black

Glass Thickness (mm): 4, 20, 24, 30, 32 mm

The thermal insulation Uf: 1,58 W/m²K

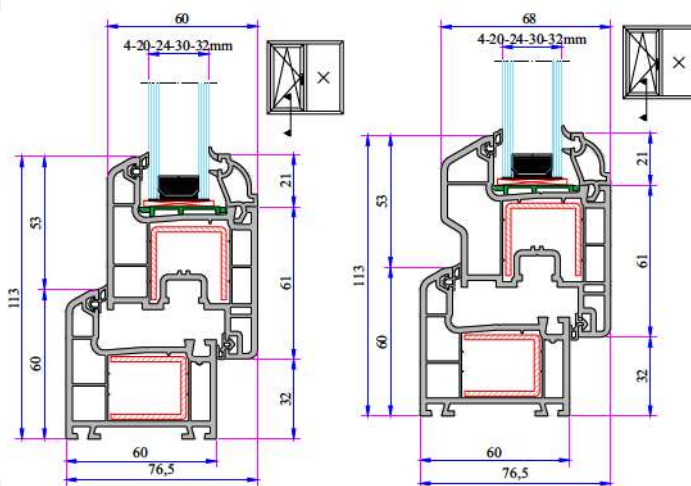
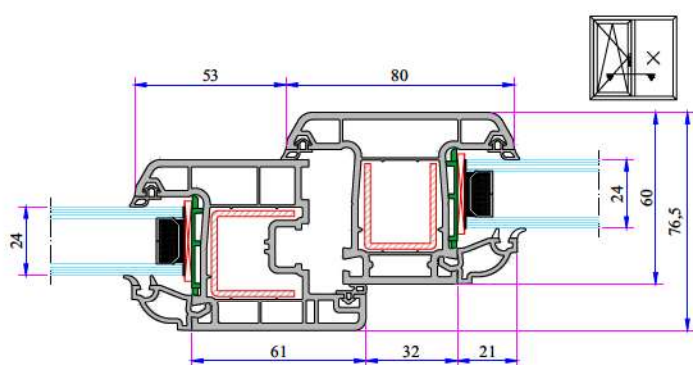
INSTRUCTION

- The main profile has 60 mm width.
- Because of the elastic grey and black seal which does not leave any stain on profiles will be provided maximum air, water, dust and sound isolation.
- Due to the 3 chambers profiles, it has maximum performance for thermal, sound and water isolation.
- It is a series of profiles with very special design that provides maximum wind resistance on high rise buildings.
- Excluding normal sash profile there is also chance to have a choice for offset type sash profile.
- In addition to white profile a different laminated color range is available.
- 4-5 mm single glazing application of 20, 24, 30, 32 mm glazing beads give us alternatives of using double, triple glazing and panels.
- It provides the visual integrity in the inner surface and the frame-wall connections due to integrated frame with sill profile.



- 1 Frame 3 chambers system.
- 2 Offset and flat sash option
- 3 Double and triple glass option.

INSTALLATION



COLOR OPTIONS



FACTORY

Antalya Organize Sanayi Bölgesi 2. Kısım Mah. 21. Cadde No:3 07040 Döşemealtı /ANTALYA / TURKEY
Tel: +90 242 236 20 00 · Faks: +90 242 236 20 90 · E-mail: info@ado.com.tr · W: www.ado.com.tr