



**ADO**

**PENWOOD 232 SLIDING SERIES  
PVC PROFILE SYSTEM**

# PENWOOD 232 SLIDING SERIES PVC PROFILE SYSTEM

## TECHNICAL

### PENWOOD 232 SLIDING SERIES

**Profile Width:** 75 mm double rail frame an 92,5mm single rail frame, 50mm sliding system sash profile

**Number of chambers:** 3 chambers system

**Profile Class:** B Class (TS EN 12608-1)

**Seal Type:** The insulated bristle wick system

**Glass Thickness (mm):** 4-6, 20, 24 mm

**The thermal insulation Uf:** 1,43 W/m<sup>2</sup>K

## INSTRUCTION

· 75 mm double rail frame and 92,5 mm single rail frame, 50mm sliding system sash profile.

· No need for reinforcement cutting screwing unit and workman.

· Compared with metal reinforcement system profile Penwood systems have % 30 more advantage with max heat - sound and water insulation.

· Just cut and weld. You do not need Metal Reinforcement and extra stock area for Metal Reinforcement.

· It has water drainage channel, it can be directly drilled after cutting.

· The medium locked sash with a seal system.

· Application of single glaze (4-6 mm) and insulating glass 20-24 mm by grey sealed glazing beads in different tickness.

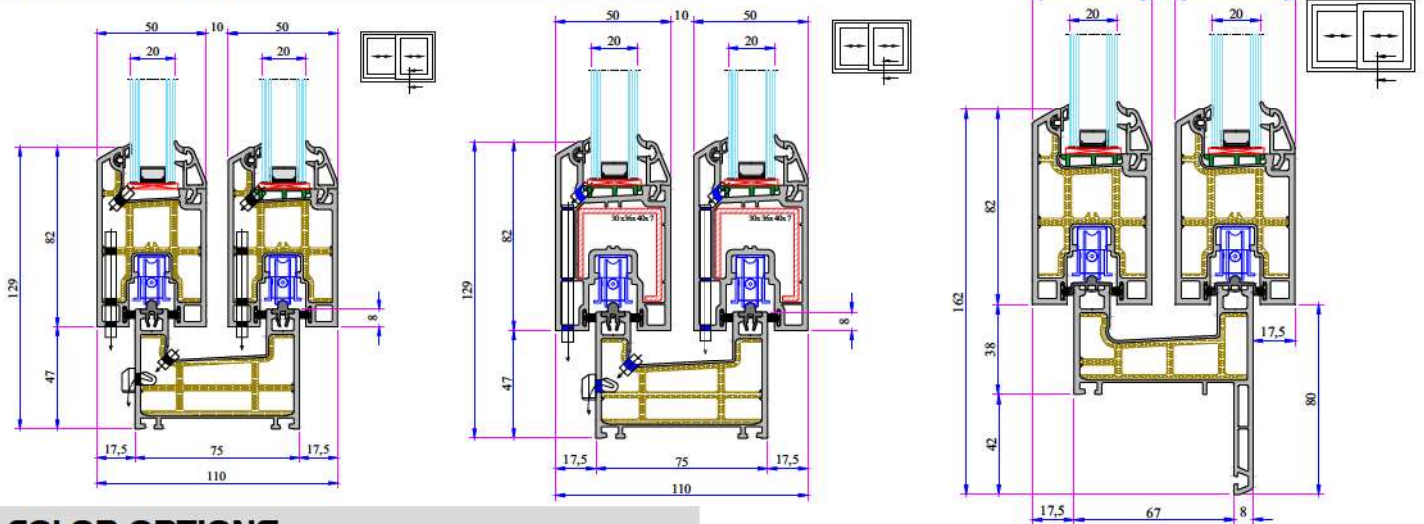
· In addition to main white profile, it has a different laminated color range.

· It's quality is accredited by national and international certificate.



- 1 Frame 3 chambers system.
- 2 Frame with fly-screen and sill option.
- 3 Single and double glass option.
- 4 No need metal reinforcement.

## INSTALLATION



## COLOR OPTIONS



## FACTORY

Antalya Organize Sanayi Bölgesi 2. Kısım Mah. 21. Cadde No:3 07040 Döşemealtı /ANTALYA / TURKEY  
Tel: +90 242 236 20 00 · Faks: +90 242 236 20 90 · E-mail: info@ado.com.tr · W: www.ado.com.tr